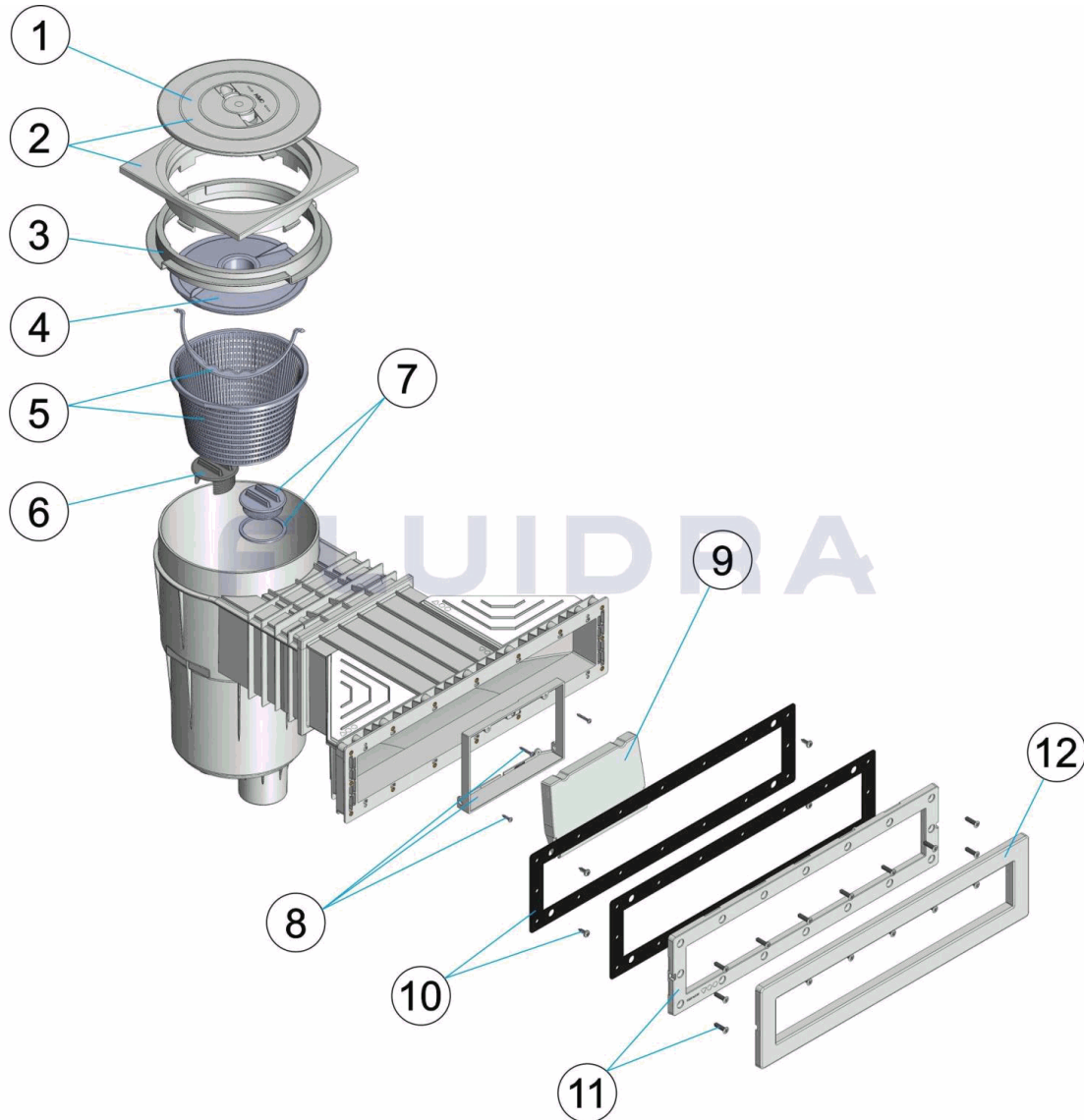


CODIGO 56176, 56176CL090, 56176CL129, 56176CL144, 56299, 56299CL090, 56299CL129, 56299CL144

DESCRIPCION: SKIMMER 17,5 L. BOCA 495 X 80 CON/SIN INSERTOS



ESPAÑOL

POS	CODIGO	DESCRIPCION	POS	CODIGO	DESCRIPCION
1	* 4402010509	TAPA SKIMMER	6	4402010502	TAPON REGULADOR
1	* 4402010064	TAPA SKIMMER	7	4402010503	TAPON CON JUNTA
1	* 4402010066	TAPA SKIMMER	8	* 4402010508	MARCO COMPUERTA SKIMMER
1	* 4402010041	TAPA SKIMMER	8	* 4402010119	MARCO COMPUERTA SKIMMER
2	* 4402010510	MARCO CUADRADO Y TAPA	8	* 4402010120	MARCO COMPUERTA SKIMMER
2	* 4402010067	MARCO CUADRADO Y TAPA	8	* 4402010042	MARCO COMPUERTA SKIMMER
2	* 4402010069	MARCO CUADRADO Y TAPA	9	* 4402010501	COMPUERTA SKIMMER CON CLIP
2	* 4402010040	MARCO CUADRADO Y TAPA	9	* 4402010076	COMPUERTA SKIMMER CON CLIP
3	* 4402010506	ANILLO DISTANCIADOR SKIMMER	9	* 4402010079	COMPUERTA SKIMMER CON CLIP
3	* 4402010073	ANILLO DISTANCIADOR SKIMMER	9	* 4402010080	COMPUERTA SKIMMER CON CLIP
3	* 4402010075	ANILLO DISTANCIADOR SKIMMER	10	4402010021	JUNTA ADHESIVA BOCA 495 X 80
3	* 4402010039	ANILLO DISTANCIADOR 17,5L	11	* 4402010022	BRIDA BOCA 495 X 80 CON INSERTOS
4	4402010505	TAPA CESTO SKIMMER	11	* 4402010024	BRIDA BOCA 495 X 80 SIN INSERTOS

* -> VER HOJA DE OBSERVACIONES

CODIGO **56176, 56176CL090, 56176CL129, 56176CL144, 56299, 56299CL090,**
56299CL129, 56299CL144

DESCRIPCION: SKIMMER 17,5 L. BOCA 495 X 80 CON/SIN INSERTOS

5	4402010504	CESTO SKIMMER 17,5 LTS.	11	* 4402010136	BRIDA BOCA 495 X 80 CON INSERTOS
11	* 4402010140	BRIDA BOCA 495 X 80 SIN INSERTOS	12	* 4402010023	EMBELLECEDOR BOCA 495 X 80
11	* 4402010137	BRIDA BOCA 495 X 80 CON INSERTOS	12	* 4402010138	EMBELLECEDOR BOCA 495 X 80
11	* 4402010141	BRIDA BOCA 495 X 80 SIN INSERTOS	12	* 4402010139	EMBELLECEDOR BOCA 495 X 80
11	* 4402010089	BRIDA BOCA 495 X 80 CON INSERTOS	12	* 4402010087	EMBELLECEDOR BOCA 495 X 80
11	* 4402010142	BRIDA BOCA 495 X 80 SIN INSERTOS			

CODIGO 56176, 56176CL090, 56176CL129, 56176CL144, 56299, 56299CL090, 56299CL129, 56299CL144

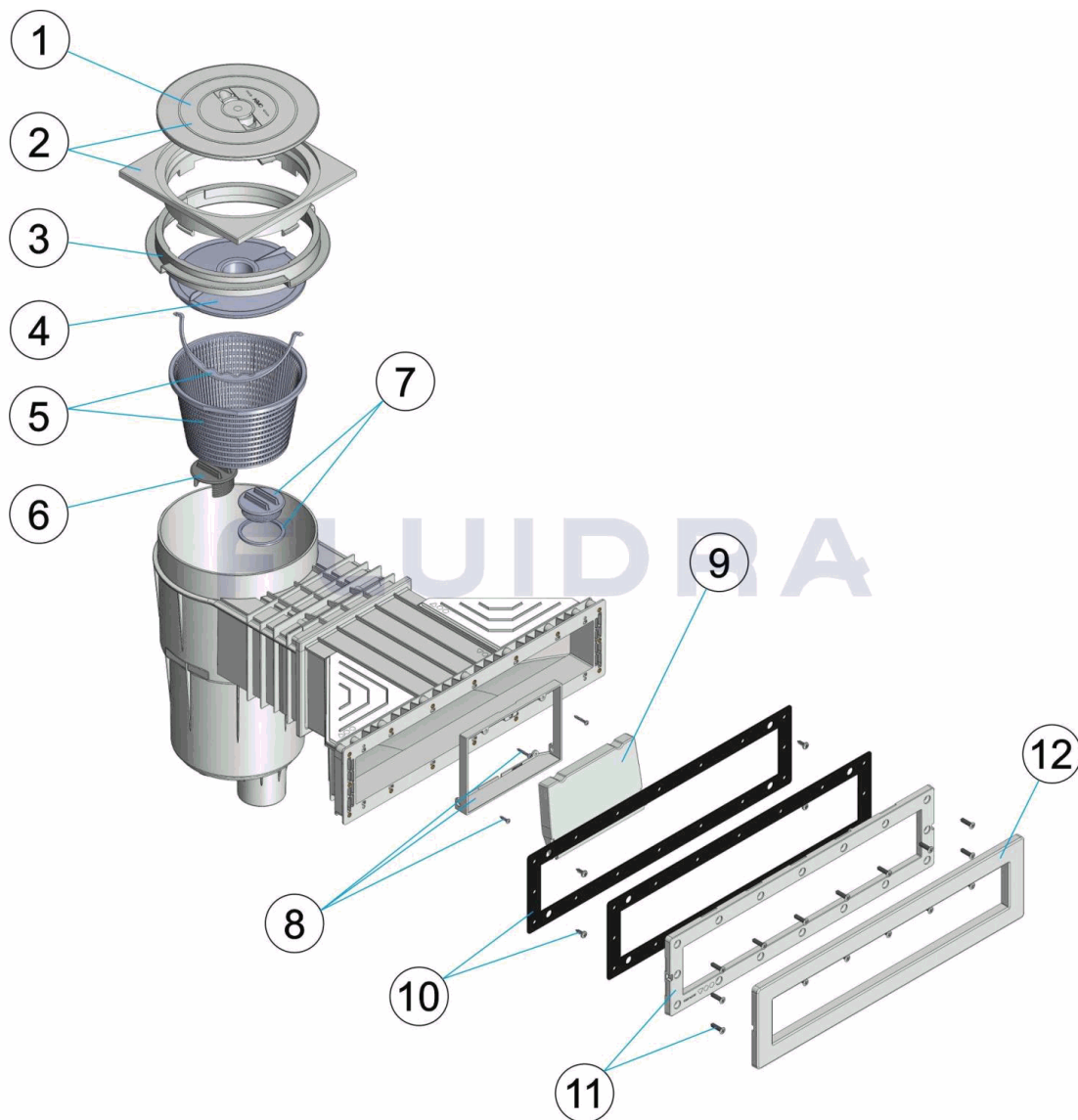
DESCRIPCION: SKIMMER 17,5 L. BOCA 495 X 80 CON/SIN INSERTOS

OBSERVACIONES

POS	CODIGO	OBSERVACIONES
1	4402010509	PARA: 56176, 56299 BLANCO / WHITE
1	4402010064	PARA: 56176CL090, 56299CL090 BEIGE
1	4402010066	PARA: 56176CL129, 56299CL129 GRIS / GREY
1	4402010041	PARA: 56176CL144, 56299CL144 ANTRACITA / ANTHRACITE
2	4402010510	PARA: 56176, 56299 BLANCO / WHITE
2	4402010067	PARA: 56176CL090, 56299CL090 BEIGE
2	4402010069	PARA: 56176CL129, 56299CL129 GRIS / GREY
2	4402010040	PARA: 56176CL144, 56299CL144 ANTRACITA / ANTHRACITE
3	4402010506	PARA: 56176, 56299 BLANCO / WHITE
3	4402010073	PARA: 56176CL090, 56299CL090 BEIGE
3	4402010075	PARA: 56176CL129, 56299CL129 GRIS / GREY
3	4402010039	PARA: 56176CL144, 56299CL144 ANTRACITA / ANTHRACITE
8	4402010508	PARA: 56176, 56299 BLANCO / WHITE
8	4402010119	PARA: 56176CL090, 56299CL090 BEIGE
8	4402010120	PARA: 56176CL129, 56299CL129 GRIS / GREY
8	4402010042	PARA: 56176CL144, 56299CL144 ANTRACITA / ANTHRACITE
9	4402010501	PARA: 56176, 56299 BLANCO / WHITE
9	4402010076	PARA: 56176CL090, 56299CL090 BEIGE
9	4402010079	PARA: 56176CL129, 56299CL129 GRIS / GREY
9	4402010080	PARA: 56176, 56299 ANTRACITA / ANTHRACITE
11	4402010022	PARA: 56176 BLANCO / WHITE
11	4402010024	PARA: 56299 BLANCO / WHITE
11	4402010136	PARA: 56176CL090 BEIGE
11	4402010140	PARA: 56299CL090 BEIGE
11	4402010137	PARA: 56176CL129 GRIS / GREY
11	4402010141	PARA: 56299CL129 GRIS / GREY
11	4402010089	PARA: 56176CL144 ANTRACITA / ANTHRACITE
11	4402010142	PARA: 56299CL144 ANTRACITA / ANTHRACITE
12	4402010023	PARA: 56176, 56299 BLANCO / WHITE
12	4402010138	PARA: 56176CL090, 56299CL090 BEIGE
12	4402010139	PARA: 56176CL129, 56299CL129 GRIS / GREY
12	4402010087	PARA: 56176CL144, 56299CL144 ANTRACITA / ANTHRACITE

CODE **56176, 56176CL090, 56176CL129, 56176CL144, 56299, 56299CL090, 56299CL129, 56299CL144**

DESCRIPTION: **SKIMMER 17,5 L. OUVERTURE 495 X 80 AVEC/SANS INSERTS**



FRANCAIS

POS	CODE	DESCRIPTION	POS	CODE	DESCRIPTION
1	* 4402010509	COUVERCLE ROND DE SKIMMER	6	4402010502	BOUCHON REGULATEUR
1	* 4402010064	COUVERCLE ROND DE SKIMMER	7	4402010503	BOUCHON SKIMMER AVEC JOINT
1	* 4402010066	COUVERCLE ROND DE SKIMMER	8	* 4402010508	CADRE VOLET SKIMMER
1	* 4402010041	COUVERCLE ROND DE SKIMMER	8	* 4402010119	CADRE VOLET SKIMMER
2	* 4402010510	CADRE ET COUVERCLE ROND	8	* 4402010120	CADRE VOLET SKIMMER
2	* 4402010067	CADRE ET COUVERCLE ROND	8	* 4402010042	CADRE VOLET SKIMMER
2	* 4402010069	CADRE ET COUVERCLE ROND	9	* 4402010501	VOLET DE SKIMMER
2	* 4402010040	CADRE ET COUVERCLE ROND	9	* 4402010076	VOLET DE SKIMMER
3	* 4402010506	CADRE REHAUSSE COUVERCLE	9	* 4402010079	VOLET DE SKIMMER
3	* 4402010073	CADRE REHAUSSE COUVERCLE	9	* 4402010080	VOLET DE SKIMMER
3	* 4402010075	CADRE REHAUSSE COUVERCLE	10	4402010021	JOINT ADHÉSIF 495 X 80
3	* 4402010039	CADRE REHAUSSE COUVERCLE	11	* 4402010022	BRIDE 495 X 80 AVEC INSERTS
4	4402010505	COUVERCLE PANIER SKIMMER	11	* 4402010024	BRIDE 495 X 80 SANS INSERTS

*** -> VOIR FICHE D'OBSERVATIONS**

CODE **56176, 56176CL090, 56176CL129, 56176CL144, 56299, 56299CL090,**
56299CL129, 56299CL144

DESCRIPTION: **SKIMMER 17,5 L. OUVERTURE 495 X 80 AVEC/SANS INSERTS**

5	4402010504	PANIER SKIMMER 17,5 LTS	11	* 4402010136	BRIDE 495 X 80 AVEC INSERTS
11	* 4402010140	BRIDE 495 X 80 SANS INSERTS	12	* 4402010023	ENJOLIVEUR 495 X 80
11	* 4402010137	BRIDE 495 X 80 AVEC INSERTS	12	* 4402010138	ENJOLIVEUR 495 X 80
11	* 4402010141	BRIDE 495 X 80 SANS INSERTS	12	* 4402010139	ENJOLIVEUR 495 X 80
11	* 4402010089	BRIDE 495 X 80 AVEC INSERTS	12	* 4402010087	ENJOLIVEUR 495 X 80
11	* 4402010142	BRIDE 495 X 80 SANS INSERTS			

CODE **56176, 56176CL090, 56176CL129, 56176CL144, 56299, 56299CL090, 56299CL129, 56299CL144**

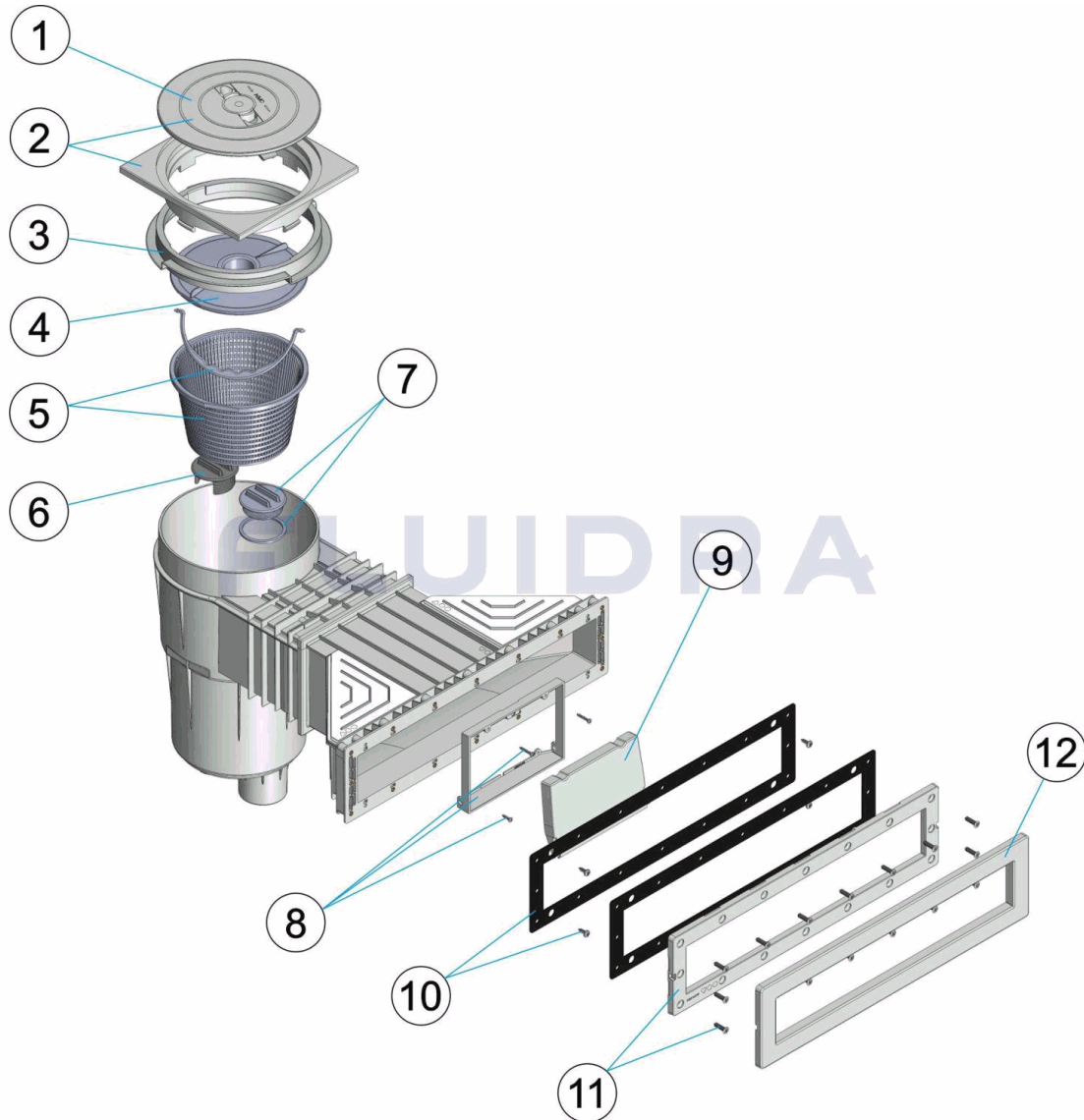
DESCRIPTION: **SKIMMER 17,5 L. OUVERTURE 495 X 80 AVEC/SANS INSERTS**

OBSERVATIONS

POS	CODE	OBSERVATIONS
1	4402010509	POUR: 56176, 56299 BLANCO / WHITE
1	4402010064	POUR: 56176CL090, 56299CL090 BEIGE
1	4402010066	POUR: 56176CL129, 56299CL129 GRIS / GREY
1	4402010041	POUR: 56176CL144, 56299CL144 ANTRACITA / ANTHRACITE
2	4402010510	POUR: 56176, 56299 BLANCO / WHITE
2	4402010067	POUR: 56176CL090, 56299CL090 BEIGE
2	4402010069	POUR: 56176CL129, 56299CL129 GRIS / GREY
2	4402010040	POUR: 56176CL144, 56299CL144 ANTRACITA / ANTHRACITE
3	4402010506	POUR: 56176, 56299 BLANCO / WHITE
3	4402010073	POUR: 56176CL090, 56299CL090 BEIGE
3	4402010075	POUR: 56176CL129, 56299CL129 GRIS / GREY
3	4402010039	POUR: 56176CL144, 56299CL144 ANTRACITA / ANTHRACITE
8	4402010508	POUR: 56176, 56299 BLANCO / WHITE
8	4402010119	POUR: 56176CL090, 56299CL090 BEIGE
8	4402010120	POUR: 56176CL129, 56299CL129 GRIS / GREY
8	4402010042	POUR: 56176CL144, 56299CL144 ANTRACITA / ANTHRACITE
9	4402010501	POUR: 56176, 56299 BLANCO / WHITE
9	4402010076	POUR: 56176CL090, 56299CL090 BEIGE
9	4402010079	POUR: 56176CL129, 56299CL129 GRIS / GREY
9	4402010080	POUR: 56176, 56299 ANTRACITA / ANTHRACITE
11	4402010022	POUR: 56176 BLANCO / WHITE
11	4402010024	POUR: 56299 BLANCO / WHITE
11	4402010136	POUR: 56176CL090 BEIGE
11	4402010140	POUR: 56299CL090 BEIGE
11	4402010137	POUR: 56176CL129 GRIS / GREY
11	4402010141	POUR: 56299CL129 GRIS / GREY
11	4402010089	POUR: 56176CL144 ANTRACITA / ANTHRACITE
11	4402010142	POUR: 56299CL144 ANTRACITA / ANTHRACITE
12	4402010023	POUR: 56176, 56299 BLANCO / WHITE
12	4402010138	POUR: 56176CL090, 56299CL090 BEIGE
12	4402010139	POUR: 56176CL129, 56299CL129 GRIS / GREY
12	4402010087	POUR: 56176CL144, 56299CL144 ANTRACITA / ANTHRACITE

CODE **56176, 56176CL090, 56176CL129, 56176CL144, 56299, 56299CL090, 56299CL129, 56299CL144**

DESCRIPTION: **SKIMMER 17.5 L. 495 X 80 APERTURE WITH/WITHOUT INSERTS**



ENGLISH

POS	CODE	DESCRIPTION	POS	CODE	DESCRIPTION
1	* 4402010509	SKIMMER LID	6	4402010502	REGULATING PLUG
1	* 4402010064	SKIMMER LID	7	4402010503	BLANKING PLUG AND 'O' RING
1	* 4402010066	SKIMMER LID	8	* 4402010508	FLAP FRAME
1	* 4402010041	SKIMMER LID	8	* 4402010119	FLAP FRAME
2	* 4402010510	SQUARE RIM AND LID	8	* 4402010120	FLAP FRAME
2	* 4402010067	SQUARE RIM AND LID	8	* 4402010042	FLAP FRAME
2	* 4402010069	SQUARE RIM AND LID	9	* 4402010501	SKIMMER FLAP
2	* 4402010040	SQUARE RIM AND LID	9	* 4402010076	SKIMMER FLAP
3	* 4402010506	COLLAR EXTENSION RING	9	* 4402010079	SKIMMER FLAP
3	* 4402010073	COLLAR EXTENSION RING	9	* 4402010080	SKIMMER FLAP
3	* 4402010075	COLLAR EXTENSION RING	10	4402010021	ADHESIVE GASKET 495 X 80 APERTURE
3	* 4402010039	COLLAR EXTENSION RING	11	* 4402010022	FLANGE 495 X 80 APERTURE WITH INSERTS
4	4402010505	VACUUM PLATE	11	* 4402010024	FLANGE 495 X 80 APERTURE WITHOUT INSERTS

*** -> SEE OBSERVATIONS SHEET**

CODE **56176, 56176CL090, 56176CL129, 56176CL144, 56299, 56299CL090,**
56299CL129, 56299CL144

DESCRIPTION: **SKIMMER 17.5 L. 495 X 80 APERTURE WITH/WITHOUT INSERTS**

5	4402010504	BASKET 17,5 LITRES	11	* 4402010136	FLANGE 495 X 80 APERTURE WITH INSERTS
11	* 4402010140	FLANGE 495 X 80 APERTURE WITHOUT INSERTS	12	* 4402010023	PLATE 495 X 80 APERTURE
11	* 4402010137	FLANGE 495 X 80 APERTURE WITH INSERTS	12	* 4402010138	PLATE 495 X 80 APERTURE
11	* 4402010141	FLANGE 495 X 80 APERTURE WITHOUT INSERTS	12	* 4402010139	PLATE 495 X 80 APERTURE
11	* 4402010089	FLANGE 495 X 80 APERTURE WITH INSERTS	12	* 4402010087	PLATE 495 X 80 APERTURE
11	* 4402010142	FLANGE 495 X 80 APERTURE WITHOUT INSERTS			

CODE **56176, 56176CL090, 56176CL129, 56176CL144, 56299, 56299CL090, 56299CL129, 56299CL144**

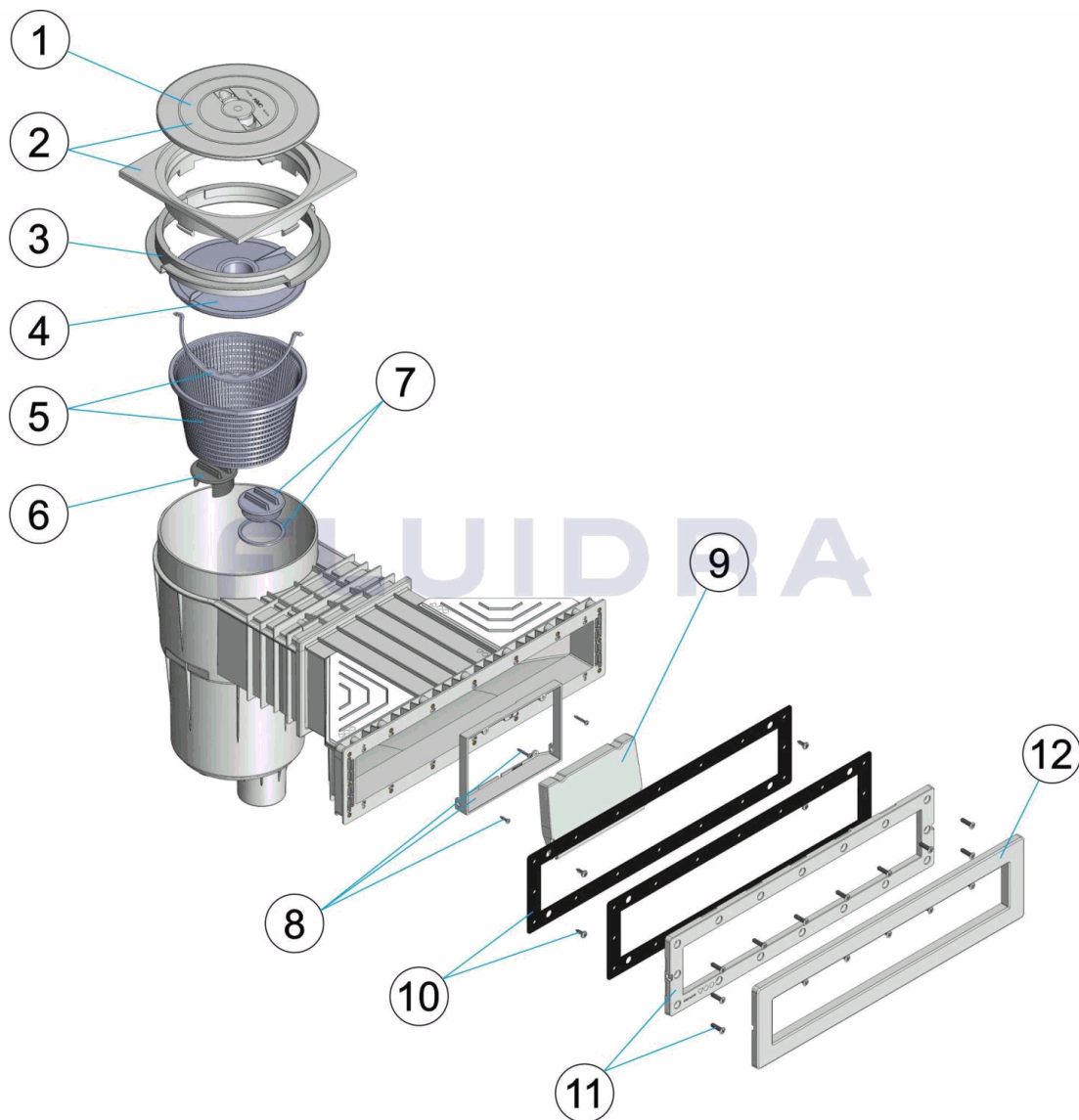
DESCRIPTION: **SKIMMER 17.5 L. 495 X 80 APERTURE WITH/WITHOUT INSERTS**

OBSERVATIONS

POS	CODE	OBSERVATIONS
1	4402010509	FOR: 56176, 56299 BLANCO / WHITE
1	4402010064	FOR: 56176CL090, 56299CL090 BEIGE
1	4402010066	FOR: 56176CL129, 56299CL129 GRIS / GREY
1	4402010041	FOR: 56176CL144, 56299CL144 ANTRACITA / ANTHRACITE
2	4402010510	FOR: 56176, 56299 BLANCO / WHITE
2	4402010067	FOR: 56176CL090, 56299CL090 BEIGE
2	4402010069	FOR: 56176CL129, 56299CL129 GRIS / GREY
2	4402010040	FOR: 56176CL144, 56299CL144 ANTRACITA / ANTHRACITE
3	4402010506	FOR: 56176, 56299 BLANCO / WHITE
3	4402010073	FOR: 56176CL090, 56299CL090 BEIGE
3	4402010075	FOR: 56176CL129, 56299CL129 GRIS / GREY
3	4402010039	FOR: 56176CL144, 56299CL144 ANTRACITA / ANTHRACITE
8	4402010508	FOR: 56176, 56299 BLANCO / WHITE
8	4402010119	FOR: 56176CL090, 56299CL090 BEIGE
8	4402010120	FOR: 56176CL129, 56299CL129 GRIS / GREY
8	4402010042	FOR: 56176CL144, 56299CL144 ANTRACITA / ANTHRACITE
9	4402010501	FOR: 56176, 56299 BLANCO / WHITE
9	4402010076	FOR: 56176CL090, 56299CL090 BEIGE
9	4402010079	FOR: 56176CL129, 56299CL129 GRIS / GREY
9	4402010080	FOR: 56176, 56299 ANTRACITA / ANTHRACITE
11	4402010022	FOR: 56176 BLANCO / WHITE
11	4402010024	FOR: 56299 BLANCO / WHITE
11	4402010136	FOR: 56176CL090 BEIGE
11	4402010140	FOR: 56299CL090 BEIGE
11	4402010137	FOR: 56176CL129 GRIS / GREY
11	4402010141	FOR: 56299CL129 GRIS / GREY
11	4402010089	FOR: 56176CL144 ANTRACITA / ANTHRACITE
11	4402010142	FOR: 56299CL144 ANTRACITA / ANTHRACITE
12	4402010023	FOR: 56176, 56299 BLANCO / WHITE
12	4402010138	FOR: 56176CL090, 56299CL090 BEIGE
12	4402010139	FOR: 56176CL129, 56299CL129 GRIS / GREY
12	4402010087	FOR: 56176CL144, 56299CL144 ANTRACITA / ANTHRACITE

CODICE **56176, 56176CL090, 56176CL129, 56176CL144, 56299, 56299CL090, 56299CL129, 56299CL144**

DESCRIZIONE: **SKIMMER 17,5 L. 495 X 80 CON/SENZA INSERTI**



ITALIANO

POS	CODICE	DESCRIZIONE	POS	CODICE	DESCRIZIONE
1	* 4402010509	COPERCHIO SKIMMER	6	4402010502	TAPPO DI REGOLAZIONE
1	* 4402010064	COPERCHIO SKIMMER	7	4402010503	TAPPO CON GUARNIZIONE
1	* 4402010066	COPERCHIO SKIMMER	8	* 4402010508	CORNICE BATTENTE SKIMMER
1	* 4402010041	COPERCHIO SKIMMER	8	* 4402010119	CORNICE BATTENTE SKIMMER
2	* 4402010510	FLANGIA QUADRATA E COPERCHIO	8	* 4402010120	CORNICE BATTENTE SKIMMER
2	* 4402010067	FLANGIA QUADRATA E COPERCHIO	8	* 4402010042	CORNICE BATTENTE SKIMMER
2	* 4402010069	FLANGIA QUADRATA E COPERCHIO	9	* 4402010501	BATTENTE SKIMMER CON CLIP
2	* 4402010040	FLANGIA QUADRATA E COPERCHIO	9	* 4402010076	BATTENTE SKIMMER CON CLIP
3	* 4402010506	ANELLO DISTANZIATORE SKIMMER	9	* 4402010079	BATTENTE SKIMMER CON CLIP
3	* 4402010073	ANELLO DISTANZIATORE SKIMMER	9	* 4402010080	BATTENTE SKIMMER CON CLIP
3	* 4402010075	ANELLO DISTANZIATORE SKIMMER	10	4402010021	GUARNIZIONE ADESIVA 495 X 80
3	* 4402010039	ANELLO DISTANZIATORE SKIMMER	11	* 4402010022	FLANGIA 495 X 80 CON INSERTI
4	4402010505	COPERCHIO CESTELLO SKIMMER	11	* 4402010024	FLANGIA 495 X 80 SENZA INSERTI

*** -> SI FACCIA RIFERIMENTO AL FOGLIO DELLE OSSERVAZIONI**

CODICE **56176, 56176CL090, 56176CL129, 56176CL144, 56299, 56299CL090,**
56299CL129, 56299CL144

DESCRIZIONE: SKIMMER 17,5 L. 495 X 80 CON/SENZA INSERTI

5	4402010504	CESTELLO SKIMMER DA 17,5 LITRI	11	* 4402010136	FLANGIA 495 X 80 CON INSERTI
11	* 4402010140	FLANGIA 495 X 80 SENZA INSERTI	12	* 4402010023	FLANGIA DI RIFINITURA 495 X 80
11	* 4402010137	FLANGIA 495 X 80 CON INSERTI	12	* 4402010138	FLANGIA DI RIFINITURA 495 X 80
11	* 4402010141	FLANGIA 495 X 80 SENZA INSERTI	12	* 4402010139	FLANGIA DI RIFINITURA 495 X 80
11	* 4402010089	FLANGIA 495 X 80 CON INSERTI	12	* 4402010087	FLANGIA DI RIFINITURA 495 X 80
11	* 4402010142	FLANGIA 495 X 80 SENZA INSERTI			

CODICE **56176, 56176CL090, 56176CL129, 56176CL144, 56299, 56299CL090,**
56299CL129, 56299CL144

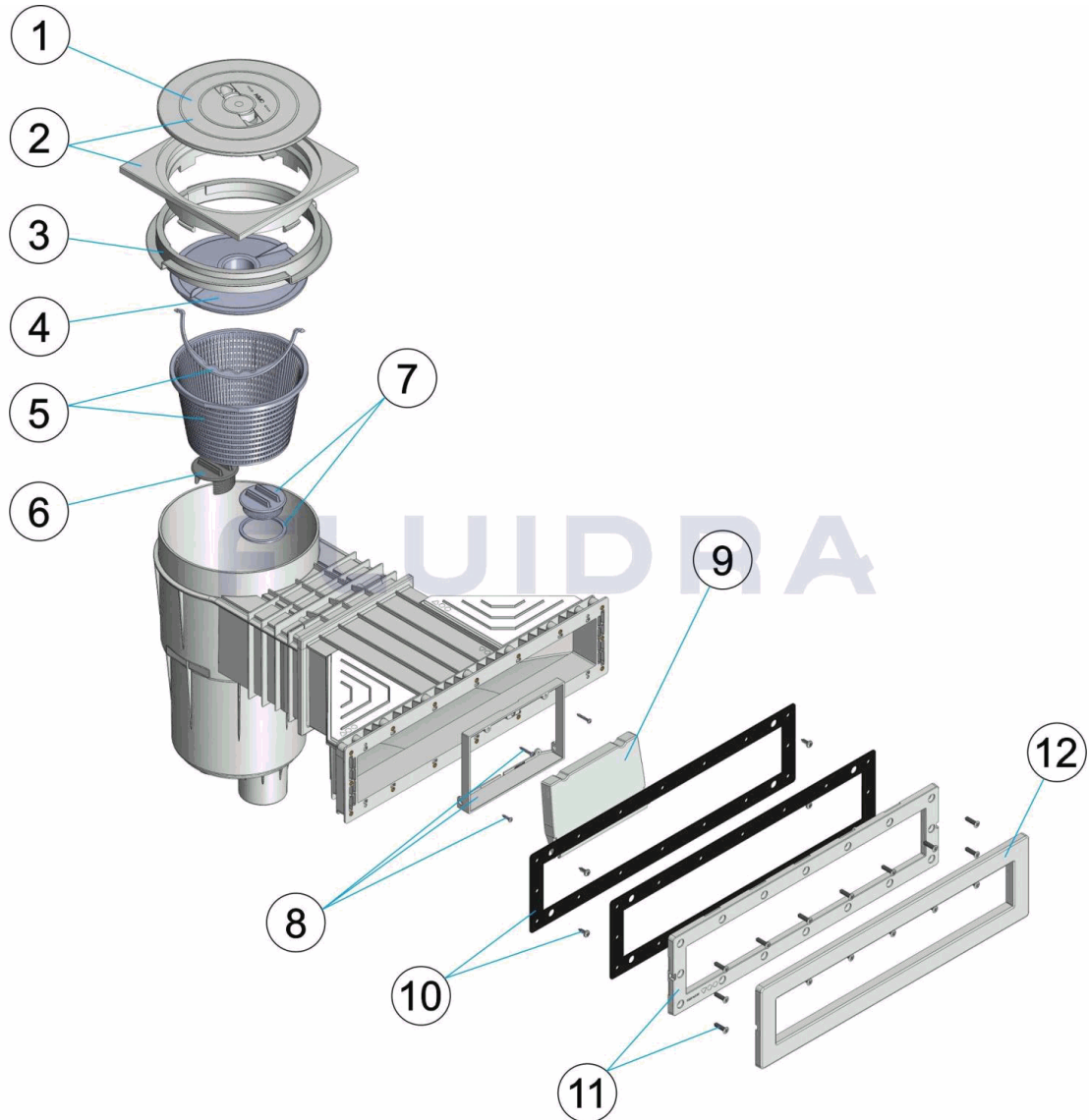
DESCRIZIONE: SKIMMER 17,5 L. 495 X 80 CON/SENZA INSERTI

OSSERVAZIONI

POS	CODICE	OSSERVAZIONI
1	4402010509	PER: 56176, 56299 BLANCO / WHITE
1	4402010064	PER: 56176CL090, 56299CL090 BEIGE
1	4402010066	PER: 56176CL129, 56299CL129 GRIS / GREY
1	4402010041	PER: 56176CL144, 56299CL144 ANTRACITA / ANTHRACITE
2	4402010510	PER: 56176, 56299 BLANCO / WHITE
2	4402010067	PER: 56176CL090, 56299CL090 BEIGE
2	4402010069	PER: 56176CL129, 56299CL129 GRIS / GREY
2	4402010040	PER: 56176CL144, 56299CL144 ANTRACITA / ANTHRACITE
3	4402010506	PER: 56176, 56299 BLANCO / WHITE
3	4402010073	PER: 56176CL090, 56299CL090 BEIGE
3	4402010075	PER: 56176CL129, 56299CL129 GRIS / GREY
3	4402010039	PER: 56176CL144, 56299CL144 ANTRACITA / ANTHRACITE
8	4402010508	PER: 56176, 56299 BLANCO / WHITE
8	4402010119	PER: 56176CL090, 56299CL090 BEIGE
8	4402010120	PER: 56176CL129, 56299CL129 GRIS / GREY
8	4402010042	PER: 56176CL144, 56299CL144 ANTRACITA / ANTHRACITE
9	4402010501	PER: 56176, 56299 BLANCO / WHITE
9	4402010076	PER: 56176CL090, 56299CL090 BEIGE
9	4402010079	PER: 56176CL129, 56299CL129 GRIS / GREY
9	4402010080	PER: 56176, 56299 ANTRACITA / ANTHRACITE
11	4402010022	PER: 56176 BLANCO / WHITE
11	4402010024	PER: 56299 BLANCO / WHITE
11	4402010136	PER: 56176CL090 BEIGE
11	4402010140	PER: 56299CL090 BEIGE
11	4402010137	PER: 56176CL129 GRIS / GREY
11	4402010141	PER: 56299CL129 GRIS / GREY
11	4402010089	PER: 56176CL144 ANTRACITA / ANTHRACITE
11	4402010142	PER: 56299CL144 ANTRACITA / ANTHRACITE
12	4402010023	PER: 56176, 56299 BLANCO / WHITE
12	4402010138	PER: 56176CL090, 56299CL090 BEIGE
12	4402010139	PER: 56176CL129, 56299CL129 GRIS / GREY
12	4402010087	PER: 56176CL144, 56299CL144 ANTRACITA / ANTHRACITE

CODE **56176, 56176CL090, 56176CL129, 56176CL144, 56299, 56299CL090, 56299CL129, 56299CL144**

BESCHREIBUNG: **SKIMMER 17,5 L. EINLASS 495 X 80 MIT/OHNE EINSÄTZEN**



DEUTSCH

POS	CODE	BESCHREIBUNG	POS	CODE	BESCHREIBUNG
1	* 4402010509	SKIMMERDECKEL	6	4402010502	STOPFEN REGULIERUNG
1	* 4402010064	SKIMMERDECKEL	7	4402010503	STOPFEN UND DICHTUNG
1	* 4402010066	SKIMMERDECKEL	8	* 4402010508	RAHMEN SKIMMERKLAPPE
1	* 4402010041	SKIMMERDECKEL	8	* 4402010119	RAHMEN SKIMMERKLAPPE
2	* 4402010510	QUADRATISCHER RAHMEN UND ABDECKUNG	8	* 4402010120	RAHMEN SKIMMERKLAPPE
2	* 4402010067	QUADRATISCHER RAHMEN UND ABDECKUNG	8	* 4402010042	RAHMEN SKIMMERKLAPPE
2	* 4402010069	QUADRATISCHER RAHMEN UND ABDECKUNG	9	* 4402010501	SKIMMERKLAPPE MIT CLIP
2	* 4402010040	QUADRATISCHER RAHMEN UND ABDECKUNG	9	* 4402010076	SKIMMERKLAPPE MIT CLIP
3	* 4402010506	DISTANZRING SKIMMER	9	* 4402010079	SKIMMERKLAPPE MIT CLIP
3	* 4402010073	DISTANZRING SKIMMER	9	* 4402010080	SKIMMERKLAPPE MIT CLIP
3	* 4402010075	DISTANZRING SKIMMER	10	4402010021	DICHTUNG SELBSTKLEBEND EINLASS 495 X 80
3	* 4402010039	DISTANZRING 17,5 L	11	* 4402010022	EINLASSFLANSCH 495 X 80 MIT EINSÄTZEN
4	4402010505	ABDECKUNG SKIMMKORB	11	* 4402010024	EINLASSFLANSCH 495 X 80 OHNE EINSÄTZE

*** -> SIEHE ANMERKUNGSBLATT**

CODE **56176, 56176CL090, 56176CL129, 56176CL144, 56299, 56299CL090,**
 56299CL129, 56299CL144

BESCHREIBUNG: **SKIMMER 17,5 L. EINLASS 495 X 80 MIT/OHNE EINSÄTZEN**

5	4402010504	SKIMMERKORB 17,5 L	11	* 4402010136	EINLASSFLANSCH 495 X 80 MIT EINSÄTZEN
11	* 4402010140	EINLASSFLANSCH 495 X 80 OHNE EINSÄTZE	12	* 4402010023	BLENDE EINLASS 495 X 80
11	* 4402010137	EINLASSFLANSCH 495 X 80 MIT EINSÄTZEN	12	* 4402010138	BLENDE EINLASS 495 X 80
11	* 4402010141	EINLASSFLANSCH 495 X 80 OHNE EINSÄTZE	12	* 4402010139	BLENDE EINLASS 495 X 80
11	* 4402010089	EINLASSFLANSCH 495 X 80 MIT EINSÄTZEN	12	* 4402010087	BLENDE EINLASS 495 X 80
11	* 4402010142	EINLASSFLANSCH 495 X 80 OHNE EINSÄTZE			

CODE **56176, 56176CL090, 56176CL129, 56176CL144, 56299, 56299CL090, 56299CL129, 56299CL144**

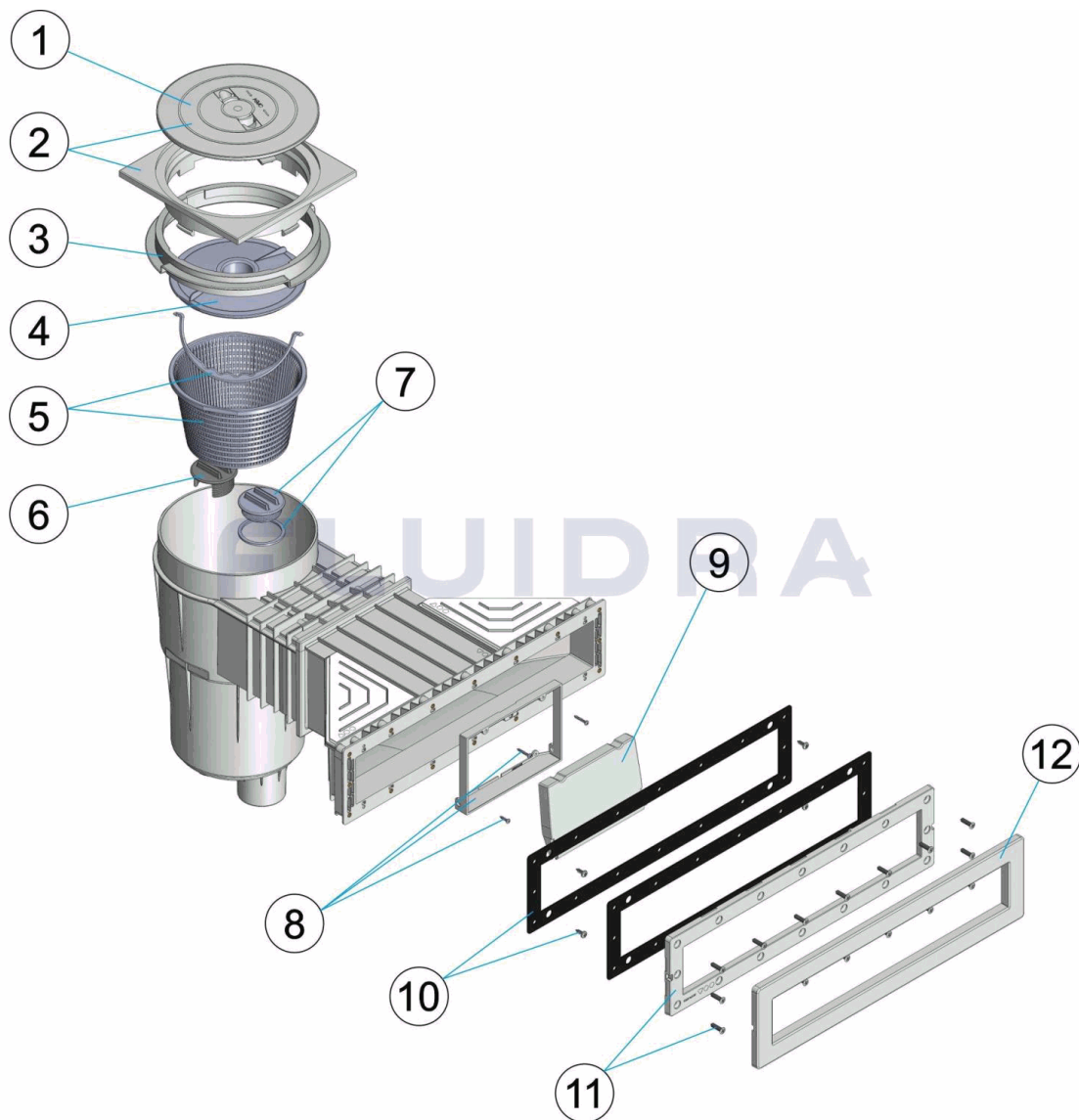
BESCHREIBUNG: **SKIMMER 17,5 L. EINLASS 495 X 80 MIT/OHNE EINSÄTZEN**

HINWEISE

POS	CODE	HINWEISE
1	4402010509	FÜR: 56176, 56299 BLANCO / WHITE
1	4402010064	FÜR: 56176CL090, 56299CL090 BEIGE
1	4402010066	FÜR: 56176CL129, 56299CL129 GRIS / GREY
1	4402010041	FÜR: 56176CL144, 56299CL144 ANTRACITA / ANTHRACITE
2	4402010510	FÜR: 56176, 56299 BLANCO / WHITE
2	4402010067	FÜR: 56176CL090, 56299CL090 BEIGE
2	4402010069	FÜR: 56176CL129, 56299CL129 GRIS / GREY
2	4402010040	FÜR: 56176CL144, 56299CL144 ANTRACITA / ANTHRACITE
3	4402010506	FÜR: 56176, 56299 BLANCO / WHITE
3	4402010073	FÜR: 56176CL090, 56299CL090 BEIGE
3	4402010075	FÜR: 56176CL129, 56299CL129 GRIS / GREY
3	4402010039	FÜR: 56176CL144, 56299CL144 ANTRACITA / ANTHRACITE
8	4402010508	FÜR: 56176, 56299 BLANCO / WHITE
8	4402010119	FÜR: 56176CL090, 56299CL090 BEIGE
8	4402010120	FÜR: 56176CL129, 56299CL129 GRIS / GREY
8	4402010042	FÜR: 56176CL144, 56299CL144 ANTRACITA / ANTHRACITE
9	4402010501	FÜR: 56176, 56299 BLANCO / WHITE
9	4402010076	FÜR: 56176CL090, 56299CL090 BEIGE
9	4402010079	FÜR: 56176CL129, 56299CL129 GRIS / GREY
9	4402010080	FÜR: 56176, 56299 ANTRACITA / ANTHRACITE
11	4402010022	FÜR: 56176 BLANCO / WHITE
11	4402010024	FÜR: 56299 BLANCO / WHITE
11	4402010136	FÜR: 56176CL090 BEIGE
11	4402010140	FÜR: 56299CL090 BEIGE
11	4402010137	FÜR: 56176CL129 GRIS / GREY
11	4402010141	FÜR: 56299CL129 GRIS / GREY
11	4402010089	FÜR: 56176CL144 ANTRACITA / ANTHRACITE
11	4402010142	FÜR: 56299CL144 ANTRACITA / ANTHRACITE
12	4402010023	FÜR: 56176, 56299 BLANCO / WHITE
12	4402010138	FÜR: 56176CL090, 56299CL090 BEIGE
12	4402010139	FÜR: 56176CL129, 56299CL129 GRIS / GREY
12	4402010087	FÜR: 56176CL144, 56299CL144 ANTRACITA / ANTHRACITE

CODIGO **56176, 56176CL090, 56176CL129, 56176CL144, 56299, 56299CL090, 56299CL129, 56299CL144**

DESCRIÇÃO: SKIMMER 17,5 L. BOCA 495 X 80 COM/SEM INSERÇÕES



PORTUGUES

POS	CODIGO	DESCRIÇÃO	POS	CODIGO	DESCRIÇÃO
1	* 4402010509	TAMPA SKIMMER	6	4402010502	TAMPA REGULADORA
1	* 4402010064	TAMPA SKIMMER	7	4402010503	TAMPA COM JUNTA
1	* 4402010066	TAMPA SKIMMER	8	* 4402010508	CAIXILHO COMPORTA SKIMMER
1	* 4402010041	TAMPA SKIMMER	8	* 4402010119	CAIXILHO COMPORTA SKIMMER
2	* 4402010510	ARO QUADRADO E TAMPA	8	* 4402010120	CAIXILHO COMPORTA SKIMMER
2	* 4402010067	ARO QUADRADO E TAMPA	8	* 4402010042	CAIXILHO COMPORTA SKIMMER
2	* 4402010069	ARO QUADRADO E TAMPA	9	* 4402010501	COMPORTA SKIMMER CLIP
2	* 4402010040	ARO QUADRADO E TAMPA	9	* 4402010076	COMPORTA SKIMMER CLIP
3	* 4402010506	ANEL DISTANCIADOR SKIMMER	9	* 4402010079	COMPORTA SKIMMER CLIP
3	* 4402010073	ANEL DISTANCIADOR SKIMMER	9	* 4402010080	COMPORTA SKIMMER CLIP
3	* 4402010075	ANEL DISTANCIADOR SKIMMER	10	4402010021	JUNTA ADESIVA BOCA 495 X 80
3	* 4402010039	ANEL DISTANCIADOR SKIMMER	11	* 4402010022	FLANGE BOCA 495 X 80 COM INSERÇÕES
4	4402010505	TAMPA CESTO SKIMMER	11	* 4402010024	FLANGE BOCA 495 X 80 SEM INSERÇÕES

*** -> VEJA A FICHA DE OBSERVAÇÕES**

CODIGO **56176, 56176CL090, 56176CL129, 56176CL144, 56299, 56299CL090,**
56299CL129, 56299CL144

DESCRIÇÃO: SKIMMER 17,5 L. BOCA 495 X 80 COM/SEM INSERÇÕES

5	4402010504	CESTO SKIMMER 17,5 LTS	11	* 4402010136	FLANGE BOCA 495 X 80 COM INSERÇÕES
11	* 4402010140	FLANGE BOCA 495 X 80 SEM INSERÇÕES	12	* 4402010023	EMBELEZADOR BOCA 495 X 80
11	* 4402010137	FLANGE BOCA 495 X 80 COM INSERÇÕES	12	* 4402010138	EMBELEZADOR BOCA 495 X 80
11	* 4402010141	FLANGE BOCA 495 X 80 SEM INSERÇÕES	12	* 4402010139	EMBELEZADOR BOCA 495 X 80
11	* 4402010089	FLANGE BOCA 495 X 80 COM INSERÇÕES	12	* 4402010087	EMBELEZADOR BOCA 495 X 80
11	* 4402010142	FLANGE BOCA 495 X 80 SEM INSERÇÕES			

CODIGO 56176, 56176CL090, 56176CL129, 56176CL144, 56299, 56299CL090, 56299CL129, 56299CL144

DESCRIÇÃO: SKIMMER 17,5 L. BOCA 495 X 80 COM/SEM INSERÇÕES

OBSERVAÇÕES

POS	CODIGO	OBSERVAÇÕES
1	4402010509	PARA: 56176, 56299 BLANCO / WHITE
1	4402010064	PARA: 56176CL090, 56299CL090 BEIGE
1	4402010066	PARA: 56176CL129, 56299CL129 GRIS / GREY
1	4402010041	PARA: 56176CL144, 56299CL144 ANTRACITA / ANTHRACITE
2	4402010510	PARA: 56176, 56299 BLANCO / WHITE
2	4402010067	PARA: 56176CL090, 56299CL090 BEIGE
2	4402010069	PARA: 56176CL129, 56299CL129 GRIS / GREY
2	4402010040	PARA: 56176CL144, 56299CL144 ANTRACITA / ANTHRACITE
3	4402010506	PARA: 56176, 56299 BLANCO / WHITE
3	4402010073	PARA: 56176CL090, 56299CL090 BEIGE
3	4402010075	PARA: 56176CL129, 56299CL129 GRIS / GREY
3	4402010039	PARA: 56176CL144, 56299CL144 ANTRACITA / ANTHRACITE
8	4402010508	PARA: 56176, 56299 BLANCO / WHITE
8	4402010119	PARA: 56176CL090, 56299CL090 BEIGE
8	4402010120	PARA: 56176CL129, 56299CL129 GRIS / GREY
8	4402010042	PARA: 56176CL144, 56299CL144 ANTRACITA / ANTHRACITE
9	4402010501	PARA: 56176, 56299 BLANCO / WHITE
9	4402010076	PARA: 56176CL090, 56299CL090 BEIGE
9	4402010079	PARA: 56176CL129, 56299CL129 GRIS / GREY
9	4402010080	PARA: 56176, 56299 ANTRACITA / ANTHRACITE
11	4402010022	PARA: 56176 BLANCO / WHITE
11	4402010024	PARA: 56299 BLANCO / WHITE
11	4402010136	PARA: 56176CL090 BEIGE
11	4402010140	PARA: 56299CL090 BEIGE
11	4402010137	PARA: 56176CL129 GRIS / GREY
11	4402010141	PARA: 56299CL129 GRIS / GREY
11	4402010089	PARA: 56176CL144 ANTRACITA / ANTHRACITE
11	4402010142	PARA: 56299CL144 ANTRACITA / ANTHRACITE
12	4402010023	PARA: 56176, 56299 BLANCO / WHITE
12	4402010138	PARA: 56176CL090, 56299CL090 BEIGE
12	4402010139	PARA: 56176CL129, 56299CL129 GRIS / GREY
12	4402010087	PARA: 56176CL144, 56299CL144 ANTRACITA / ANTHRACITE