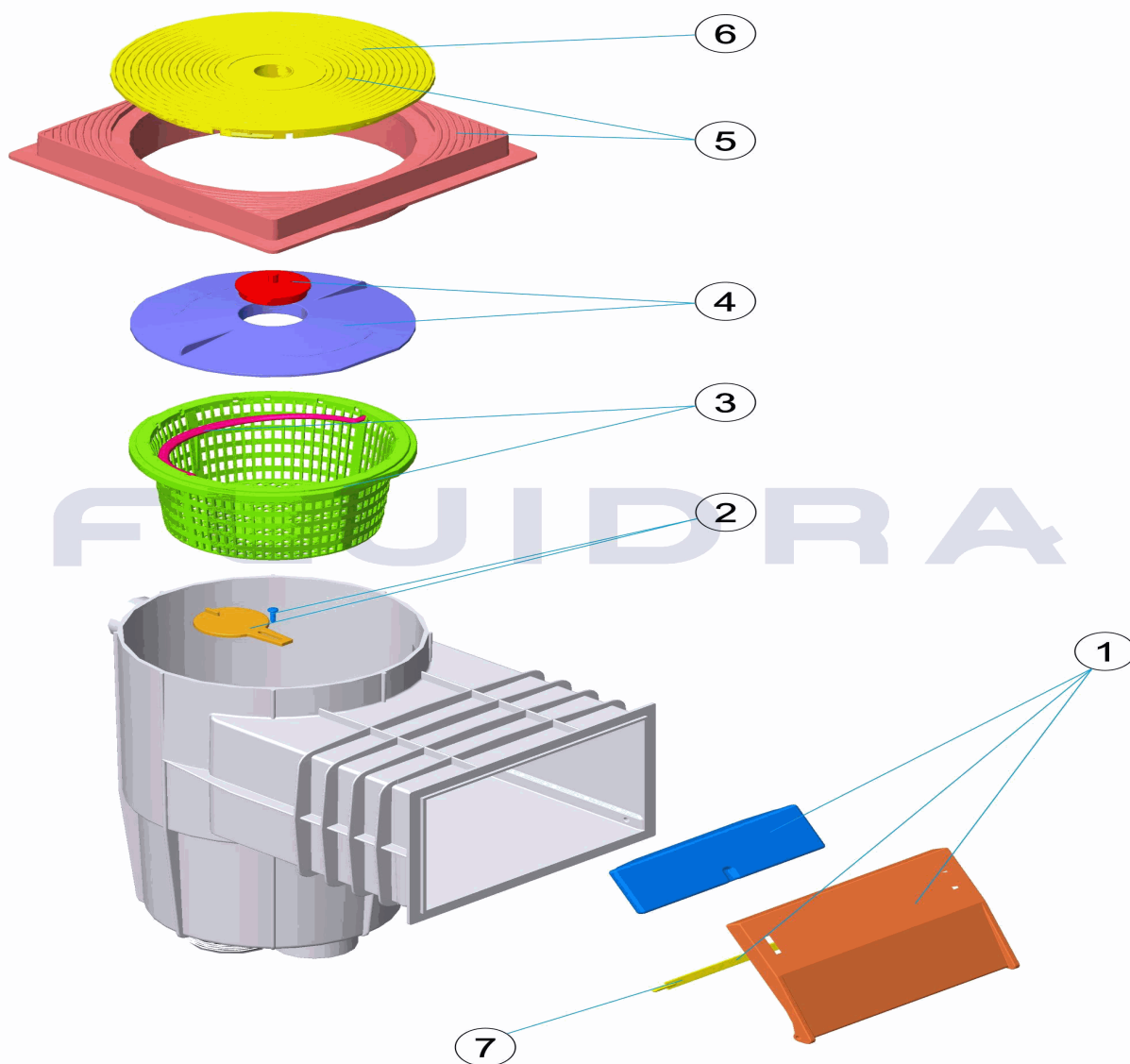


CODE **00250**

BESCHREIBUNG: **SKIMMER 15L PH EINLASS STANDARD ABDECKUNG RUND**

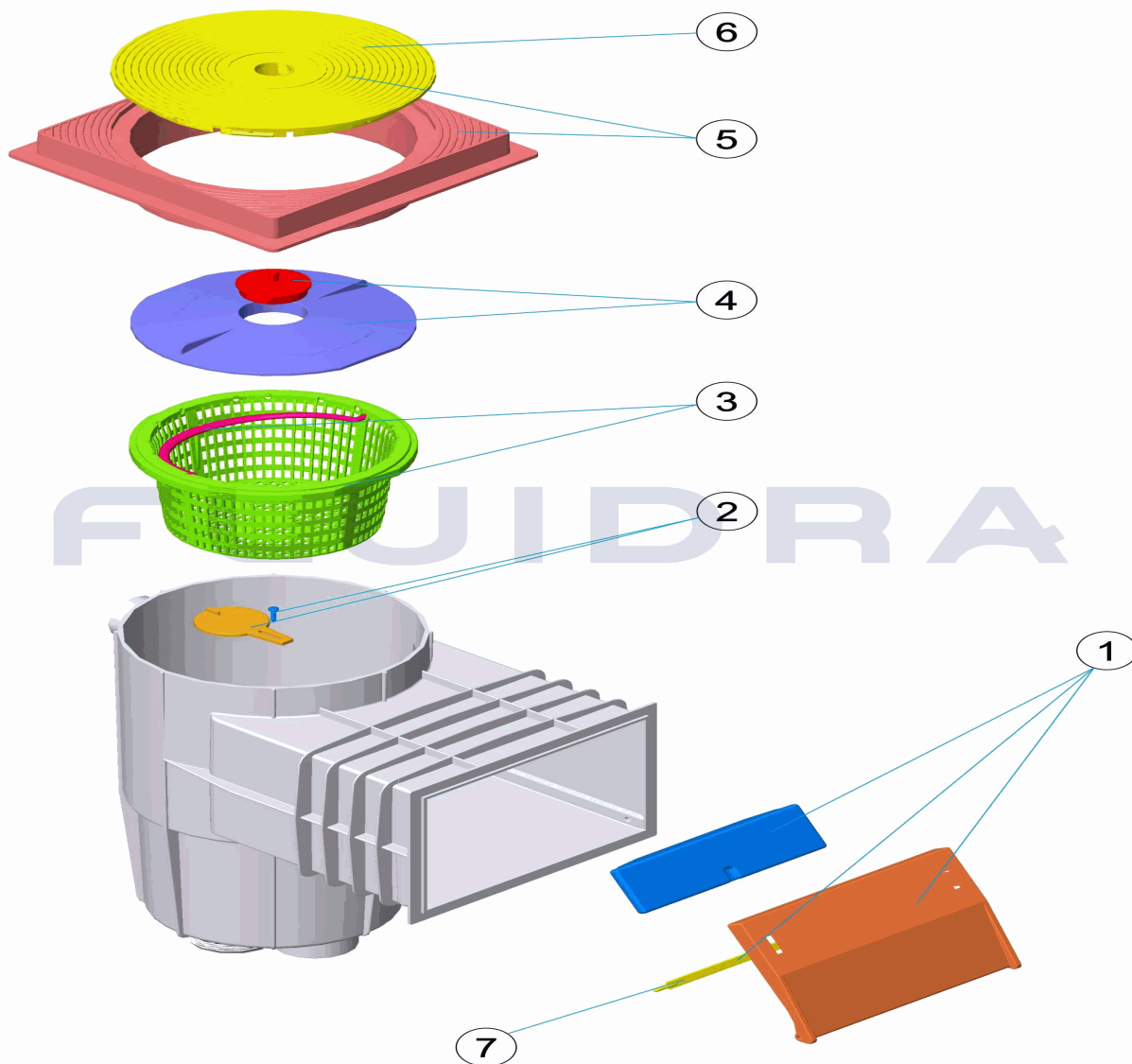


**DEUTSCH**

POS	CODE	BESCHREIBUNG	MENGE	POS	CODE	BESCHREIBUNG	MENGE
1	440201011	SKIMMERKLAPPE SCHARNIER		4	440201014	ABDECKUNG SKIMMKORB MIT STOPFEN	
1	440201019	SKIMMERKLAPPE VORVERSION		5	440201016	ABDECKUNG UND RING SKIMMER QUADR/	
2	440201012	SKIMMERKLAPPE		6	440201018	ABDECKUNG RUND SKIMMER	
3	440201013	SKIMMERKORB		7	4402010110	SCHARNIER Klappe	

CODE **00250**

DESCRIPTION: **SKIMMER 15L PH B. STD. T. CIRC.**

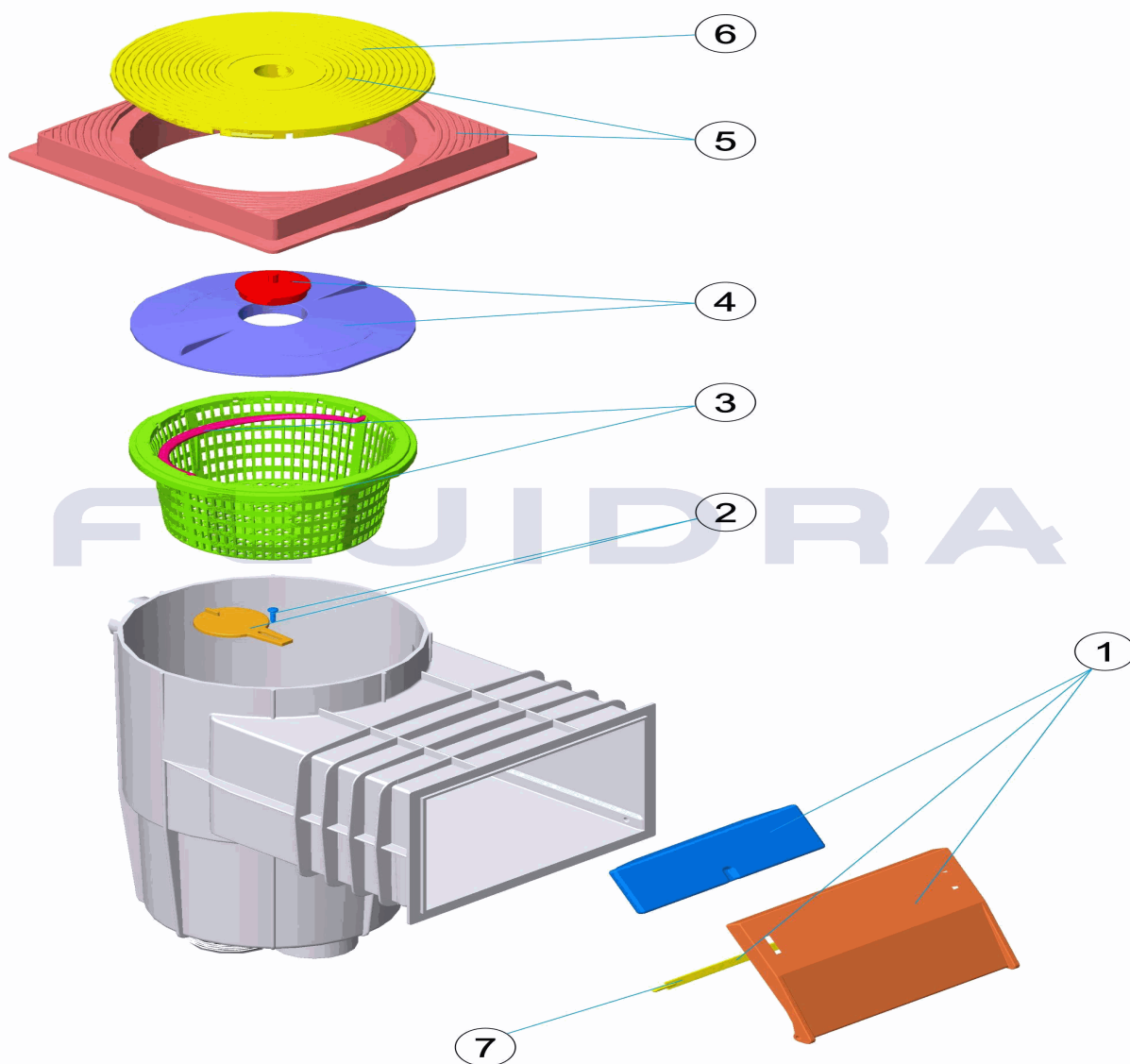


**ENGLISH**

POS	CODE	DESCRIPTION	QUANTITY	POS	CODE	DESCRIPTION	QUANTITY
1	440201011	FLAP RETAINING CLIP		4	440201014	VACUUM PLATE WITH PLUG	
1	440201019	OLD STYLE SKIMMER FLAP		5	440201016	SQUARE LID AND LID FRAME	
2	440201012	KEYHOLE FLAP		6	440201018	CIRCULAR SKIMMER LID	
3	440201013	SKIMMER BASKET		7	4402010110	HINGE FLAP	

CODIGO **00250**

DESCRIPCION: **SKIMMER 15L PH B. STD. T. CIRC.**

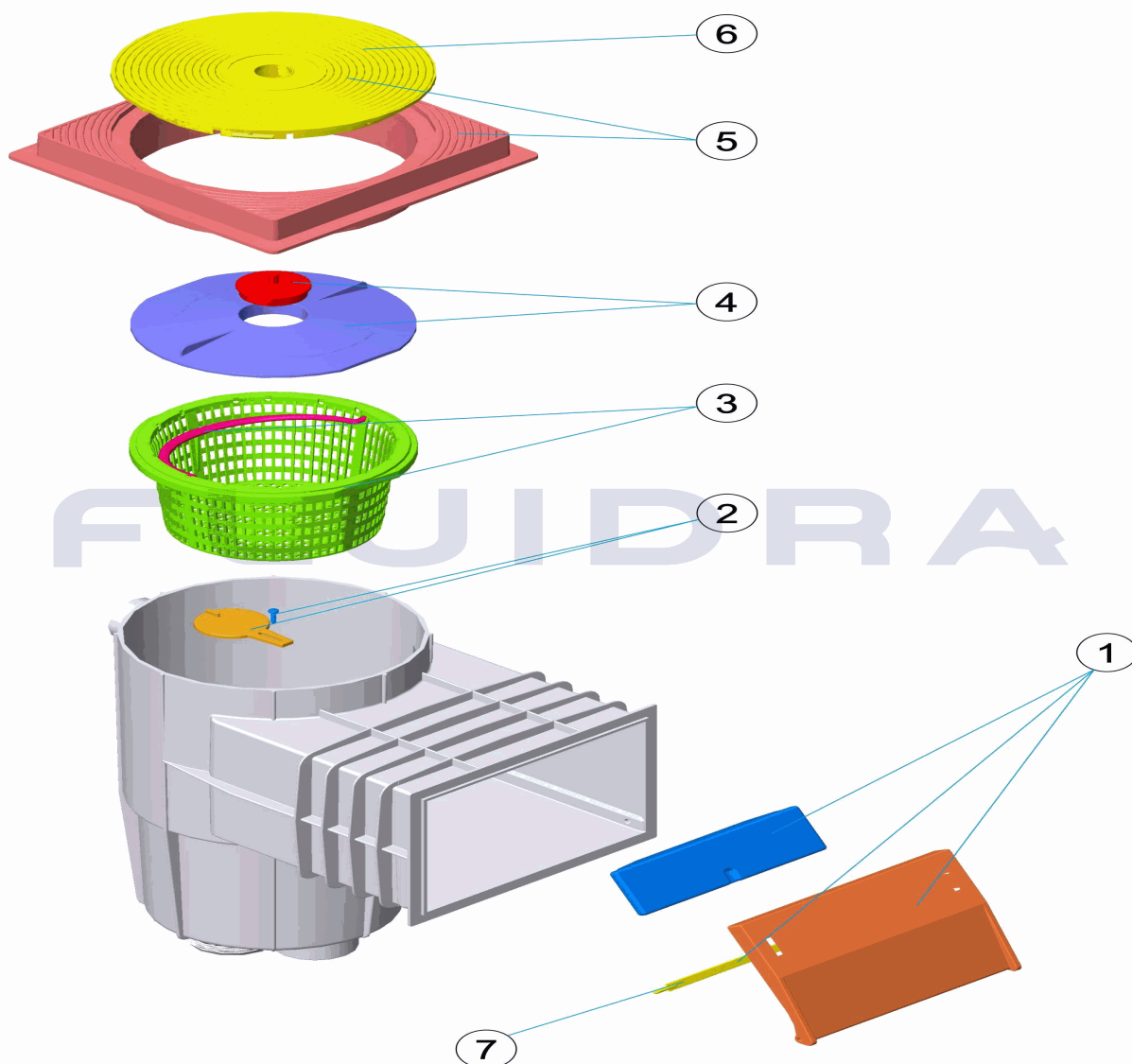


**ESPAÑOL**

POS	CODIGO	DESCRIPCION	CANTIDAD	POS	CODIGO	DESCRIPCION	CANTIDAD
1	440201011	COMPUERTA SKIMMER BISAGRA		4	440201014	TAPA CESTO SKIMMER CON TAPON	
1	440201019	COMPUERTA SKIMMER ANTIGUA		5	440201016	TAPA Y ARO CUADRADO SKIMMER	
2	440201012	CLAPETA SKIMMER		6	440201018	TAPA CIRCULAR SKIMMER	
3	440201013	CESTO SKIMMER		7	4402010110	BISAGRA COMPUERTA	

CODE **00250**

DESCRIPTION: **SKIMMER 15L PH B. STD. C. CIRC.**

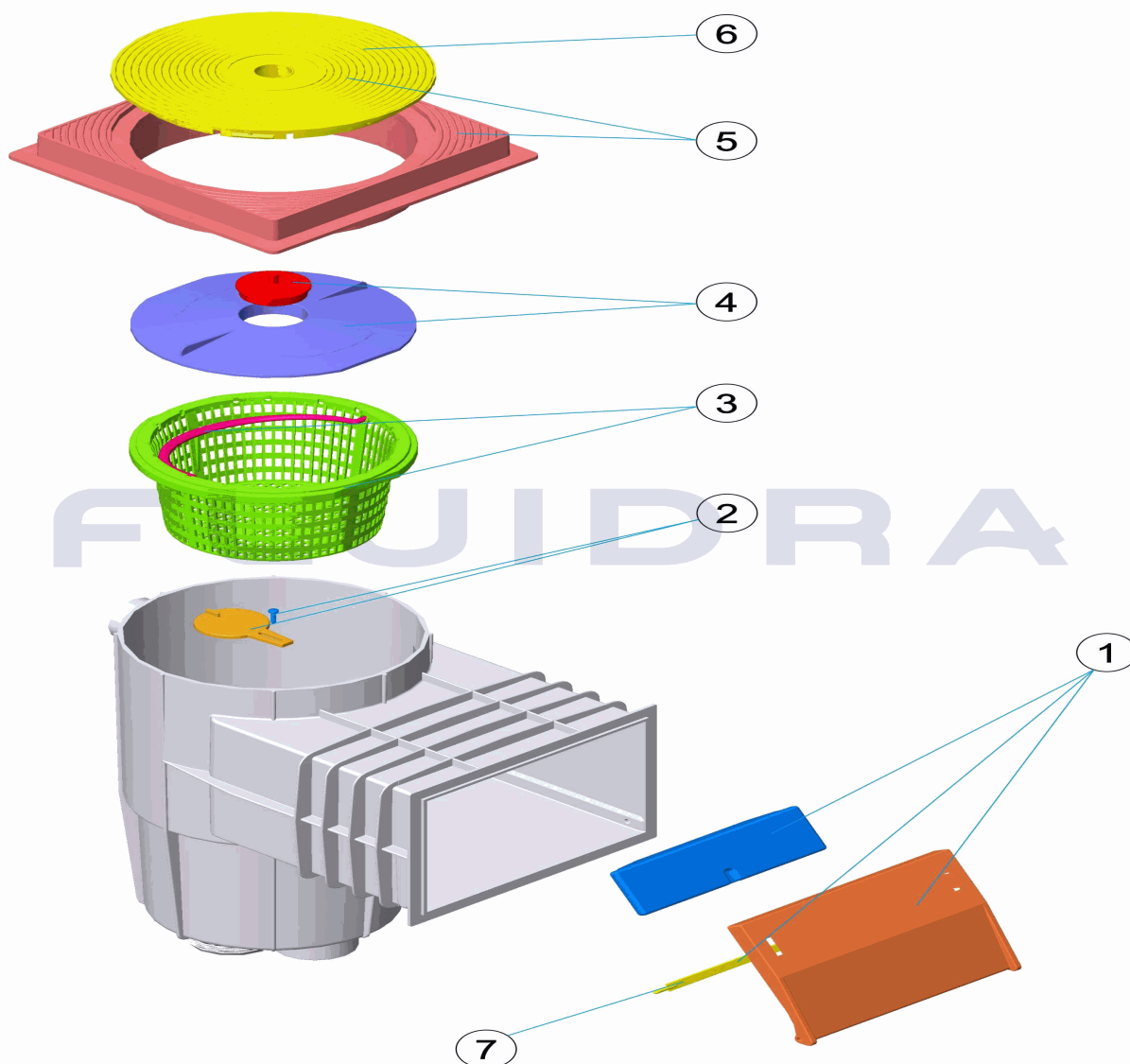


**FRANCAIS**

POS	CODE	DESCRIPTION	QUANTITE	POS	CODE	DESCRIPTION	QUANTITE
1	4402010101	VOLET ET CHARNIERE SKIMMER		4	4402010104	COUVERCLE PANIER SKIMMER AVEC BOU	
1	4402010109	VOLET DE SKIMMER ANCIEN MODÈLE		5	4402010106	COUVERCLE ET CADRE CARRE SKIMMER	
2	4402010102	CLAPET SKIMMER		6	4402010108	COUVERCLE ROND SKIMMER	
3	4402010103	PANIER SKIMMER		7	4402010110	CHARNIERE VOLET	

CODICE **00250**

DESCRIZIONE: **SKIMMER 15L PH B. STD. T. CIRC.**

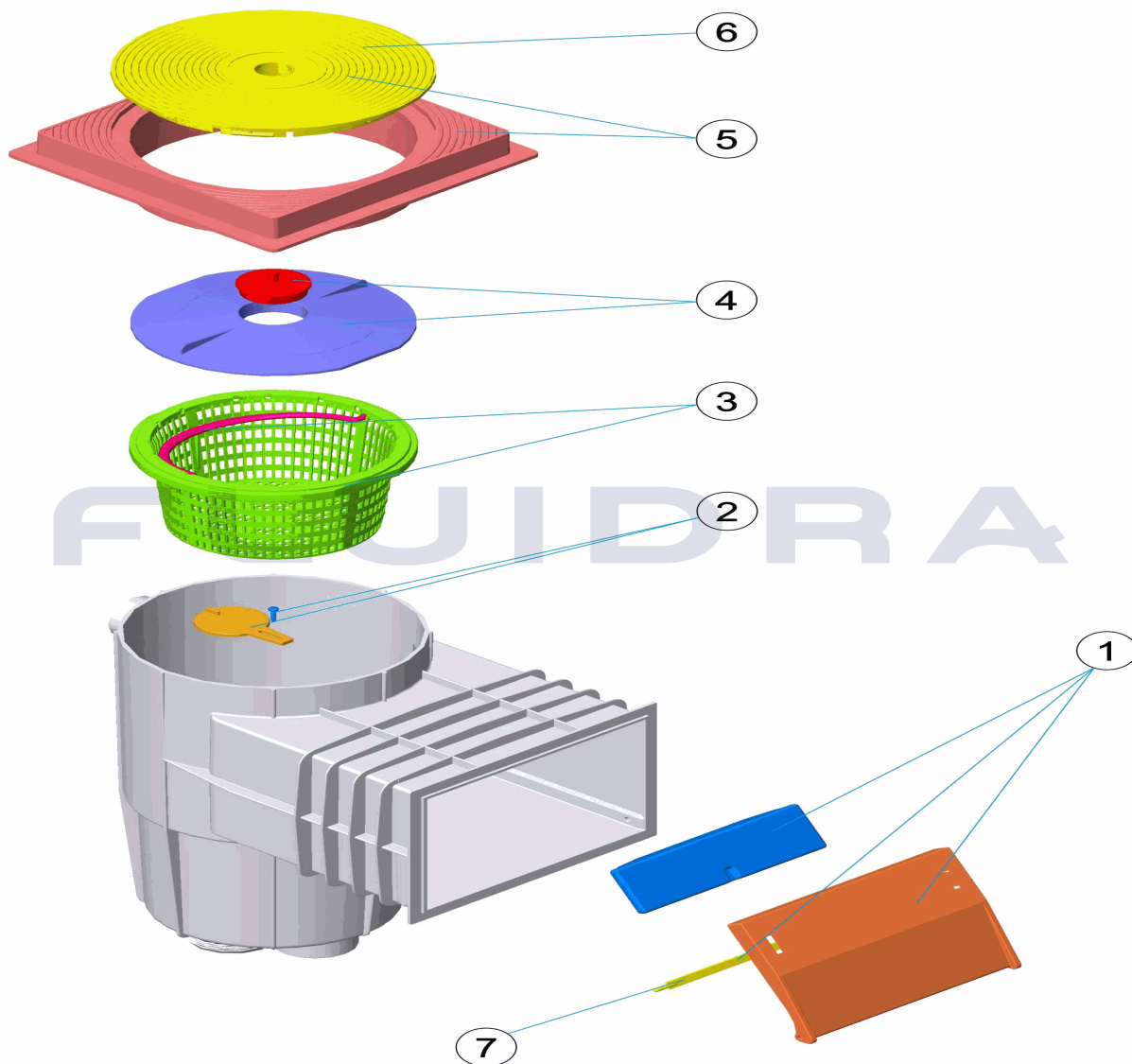


**ITALIANO**

POS	CODICE	DESCRIZIONE	QUANTITA'	POS	CODICE	DESCRIZIONE	QUANTITA'
1	4402010101	BATTENTE SKIMMER CON PERNO		4	4402010104	COPERCHIO CESTELLO SKIMMER CON TAI	
1	4402010109	BATTENTE SKIMMER T/V		5	4402010106	COPERCHIO E CORNICE QUADRA SKIMME	
2	4402010102	ALETTA PARZIALIZZATRICE SKIMMER		6	4402010108	COPERCHIO TONDO SKIMMER	
3	4402010103	CESTELLO SKIMMER		7	4402010110	CERNIERE BATTENTE	

CODIGO **00250**

DESCRIÇÃO: **SKIMMER 15 L PH B. STD. T. CIRC.**



**PORTUGUES**

POS	CODIGO	DESCRIÇÃO	JANTIDADE	POS	CODIGO	DESCRIÇÃO	JANTIDADE
1	4402010101	COMPORTA SKIMMER BISAGRA		4	4402010104	TAMPA CESTO SKIMMER	
1	4402010109	COMPORTA SKIMMER ANTIGA		5	4402010106	TAMPA E ARO QUADRADO SKIMMER	
2	4402010102	CLAPETA SKIMMER		6	4402010108	TAMPA CIRCULAR SKIMMER	
3	4402010103	CESTO SKIMMER		7	4402010110	DOBRADIÇA COMPORTA	