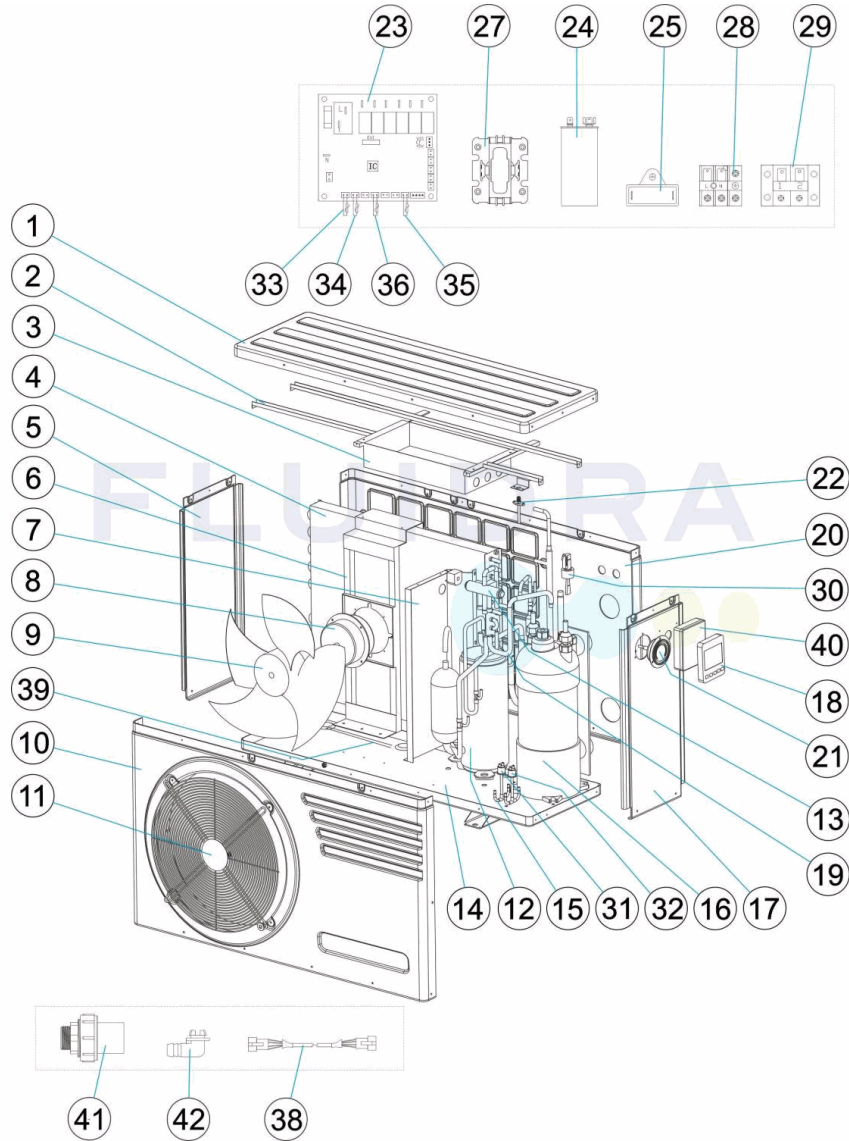


CODIGO 66071, 66072

DESCRIPCION: BOMBA DE CALOR EVOLINE 13-15



ESPAÑOL

POS	CODIGO	DESCRIPCION	POS	CODIGO	DESCRIPCION
1	66071R0001	TAPA SUPERIOR ABS	13	66070R0013	VALVULA DE 4 VIAS
2	66071R0002	SOPORTE PARA TAPA SUPERIOR	14	66071R0014	PANEL INFERIOR
3	66071R0003	CAJA ELECTRICA	15	66069R0015	TUBERÍAS PARA PRESOSTATO
4 *	66071R0004	EVAPORADOR	16 *	66071R0016	INTERCAMBIADOR DE TITANIO
4 *	66072R0004	EVAPORADOR	16 *	66072R0016	INTERCAMBIADOR DE TITANIO
5	66071R0005	PANEL IZQUIERDO ABS	17	66071R0017	PANEL DERECHO ABS
6	66071R0006	SOPORTE PARA VENTILADOR MOTOR	18	66069R0018	CONTROLADOR PANTALLA LED (WIFI)
7	66071R0007	PANEL PARTICIÓN	19 *	66071R0019	TUBERÍAS PARA INTERCAMBIADOR
8	66071R0008	MOTOR VENTILADOR	19 *	66072R0019	TUBERÍAS PARA INTERCAMBIADOR
9	66071R0009	ASPAS VENTILADOR	20	66071R0020	PANEL POSTERIOR ABS
10	66071R0010	PANEL FRONTAL ABS	21	66069R0021	MANÓMETRO
11	66071R0011	REJILLA VENTILADOR	22	66069R0022	VÁLVULA PARA VACIADO/RELLENO
12 *	66071R0012	COMPRESOR	23	66069R0023	PLACA BASE PCB (WIFI)

* -> VER HOJA DE OBSERVACIONES

CODIGO **66071, 66072**

DESCRIPCION: **BOMBA DE CALOR EVOLINE 13-15**

12	* 66072R0012	COMPRESOR	24	66071R0024	CONDENSADOR COMPRESOR (50UF)
25	66071R0025	CONDENSADOR VENTILADOR (4UF)	34	* 66069R0034	SENSOR TEMP (L=1200 COBRE C-NEGRO)
27	66070R0027	RELÉ PARA COMPRESOR	35	* 66069R0035	SENSOR TEMP (L=1200 COBRE C-VERDE)
28	66069R0028	TERMINAL DE POTENCIA	36	* 66069R0036	SENSOR TEMP (L=800 PLAST. C-BLANCO)
29	66069R0029	TERMINAL PARA BOMBA	38	66069R0038	EXTENSIÓN CABLE PARA PANTALLA (10M)
30	66069R0030	FLUJOSTATO	39	66069R0039	RESISTENCIA DESHIELO
31	66069R0031	INTERRUPTOR ALTA PRESIÓN	40	66069R0040	CAJA PROTECCIÓN PARA PANTALLA
32	66069R0032	INTERRUPTOR BAJA PRESIÓN	41	66069R0041	CONECTOR DE AGUA
33	* 66069R0033	SENSOR TEMP (L=1200 COBRE C-ROJO)	42	66069R0042	PURGA AGUA CONDENSACIÓN

CODIGO **66071, 66072**

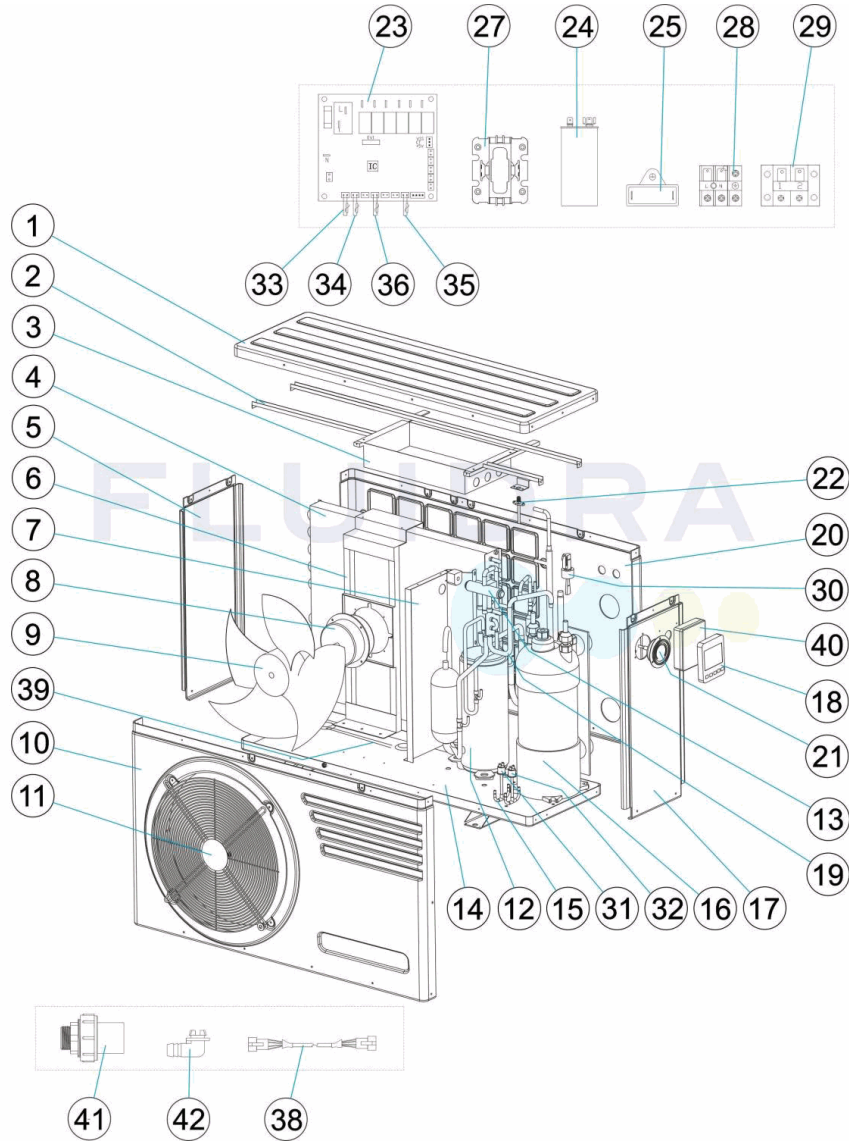
DESCRIPCION: **BOMBA DE CALOR EVOLINE 13-15**

OBSERVACIONES

POS	CODIGO	OBSERVACIONES
4	66071R0004	PARA: 66071
4	66072R0004	PARA: 66072
12	66071R0012	PARA: 66071
12	66072R0012	PARA: 66072
16	66071R0016	PARA: 66071
16	66072R0016	PARA: 66072
19	66071R0019	PARA: 66071
19	66072R0019	PARA: 66072
33	66069R0033	ENTRADA AGUA / INLET WATER
34	66069R0034	SALIDA AGUA / OUTLET WATER
35	66069R0035	SERPENTÍN EVAPORADOR / EVAPORATOR COIL
36	66069R0036	AIRE / AIR

CODE 66071, 66072

DESCRIPTION: POMPE À CHALEUR EVOLINE 13-15



FRANCAIS

POS	CODE	DESCRIPTION	POS	CODE	DESCRIPTION
1	66071R0001	COUVERCLE SUPÉRIEUR ABS	13	66070R0013	VANNE 4 VOIES
2	66071R0002	SUPPORT POUR COUVERCLE SUPÉRIEUR	14	66071R0014	PANNEAU INFÉRIEUR
3	66071R0003	BOÎTIER ÉLECTRIQUE	15	66069R0015	TUYAUTERIES POUR PRESSOSTAT
4 *	66071R0004	ÉVAPORATEUR	16 *	66071R0016	ÉCHANGEUR EN TITANE
4 *	66072R0004	ÉVAPORATEUR	16 *	66072R0016	ÉCHANGEUR EN TITANE
5	66071R0005	PANNEAU GAUCHE ABS	17	66071R0017	PANNEAU DROIT ABS
6	66071R0006	SUPPORT POUR VENTILATEUR MOTEUR	18	66069R0018	CONTRÔLEUR ÉCRAN LED (WIFI)
7	66071R0007	PANNEAU SÉPARATION	19 *	66071R0019	TUYAUTERIES POUR ÉCHANGEUR
8	66071R0008	MOTEUR VENTILATEUR	19 *	66072R0019	TUYAUTERIES POUR ÉCHANGEUR
9	66071R0009	PALES VENTILATEUR	20	66071R0020	PANNEAU POSTÉRIEUR ABS
10	66071R0010	PANNEAU FRONTAL ABS	21	66069R0021	MANOMÈTRE
11	66071R0011	GRILLE VENTILATEUR	22	66069R0022	VANNE DE VIDANGE/REPLISSAGE
12 *	66071R0012	COMPRESSEUR	23	66069R0023	PLAQUE BASE PCB (WIFI)

* -> VOIR FICHE D'OBSERVATIONS

CODE **66071, 66072**

DESCRIPTION: **POMPE À CHALEUR EVOLINE 13-15**

12	* 66072R0012	COMPRESSEUR	24	66071R0024	CONDENSATEUR COMPRESSEUR (50UF)
25	66071R0025	CONDENSATEUR VENTILATEUR (4UF)	34	* 66069R0034	CAPTEUR TEMPÉRATURE
27	66070R0027	RELAIS POUR COMPRESSEUR	35	* 66069R0035	CAPTEUR TEMPÉRATURE
28	66069R0028	BORNE DE PUISSANCE	36	* 66069R0036	CAPTEUR TEMPÉRATURE
29	66069R0029	BORNE POUR POMPE	38	66069R0038	RALLONGE CÂBLE POUR ÉCRAN (10 M)
30	66069R0030	FLUXOSTAT	39	66069R0039	RÉSISTANCE DÉGEL
31	66069R0031	INTERRUPTEUR HAUTE PRESSION	40	66069R0040	BOÎTIER PROTECTION POUR ÉCRAN
32	66069R0032	INTERRUPTEUR BASSE PRESSION	41	66069R0041	RACCORD EAU
33	* 66069R0033	CAPTEUR TEMPÉRATURE	42	66069R0042	PURGE EAU CONDENSATION

CODE **66071, 66072**

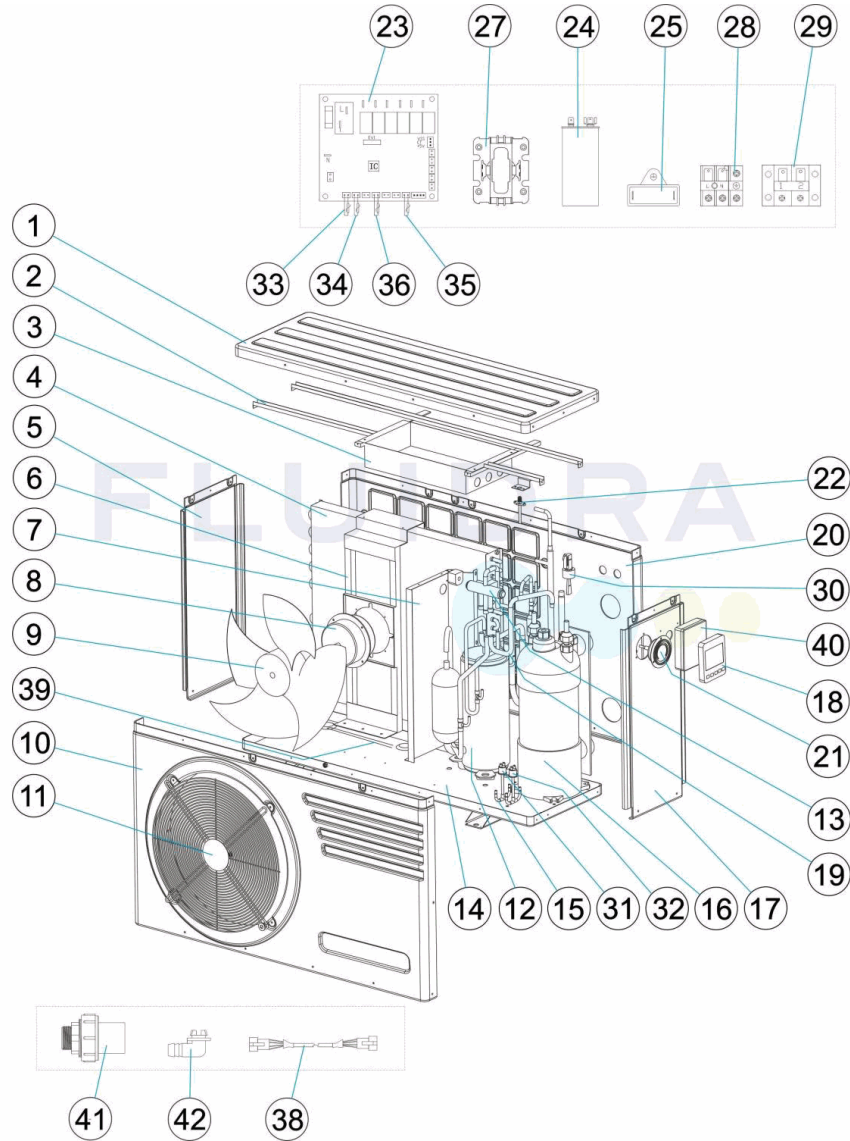
DESCRIPTION: **POMPE À CHALEUR EVOLINE 13-15**

OBSERVATIONS

POS	CODE	OBSERVATIONS
4	66071R0004	POUR: 66071
4	66072R0004	POUR: 66072
12	66071R0012	POUR: 66071
12	66072R0012	POUR: 66072
16	66071R0016	POUR: 66071
16	66072R0016	POUR: 66072
19	66071R0019	POUR: 66071
19	66072R0019	POUR: 66072
33	66069R0033	ENTRADA AGUA / INLET WATER
34	66069R0034	SALIDA AGUA / OUTLET WATER
35	66069R0035	SERPENTÍN EVAPORADOR / EVAPORATOR COIL
36	66069R0036	AIRE / AIR

CODE **66071, 66072**

DESCRIPTION: **HEAT PUMP EVOLINE 13-15**



ENGLISH

POS	CODE	DESCRIPTION	POS	CODE	DESCRIPTION
1	66071R0001	TOP CAP ABS	13	66070R0013	4-WAY VALVE
2	66071R0002	TOP CAP HOLDER	14	66071R0014	BOTTOM PANEL
3	66071R0003	ELECTRIC BOX	15	66069R0015	PIPEWORK FOR PRESSURE SWITCH
4 *	66071R0004	EVAPORATOR	16 *	66071R0016	TITANIUM HEAT EXCHANGER
4 *	66072R0004	EVAPORATOR	16 *	66072R0016	TITANIUM HEAT EXCHANGER
5	66071R0005	LEFT PANEL ABS	17	66071R0017	RIGHT PANEL ABS
6	66071R0006	FAN MOTOR HOLDER	18	66069R0018	LED DISPLAY CONTROLLER (WIFI)
7	66071R0007	PARTITION PANEL	19 *	66071R0019	PIPEWORK FOR HEAT EXCHANGER
8	66071R0008	FAN MOTOR	19 *	66072R0019	PIPEWORK FOR HEAT EXCHANGER
9	66071R0009	FAN BLADE	20	66071R0020	BACK PANEL ABS
10	66071R0010	FRONT PANEL ABS	21	66069R0021	MANOMETER
11	66071R0011	FAN GUARD	22	66069R0022	VALVE FOR VACUUM & FILLING
12 *	66071R0012	COMPRESSOR	23	66069R0023	CONTROLLER MAIN PCB (WIFI)

*** -> SEE OBSERVATIONS SHEET**

CODE **66071, 66072**

DESCRIPTION: **HEAT PUMP EVOLINE 13-15**

12	* 66072R0012	COMPRESSOR	24	66071R0024	COMPRESSOR CAPACITOR (50UF)
25	66071R0025	FAN CAPACITOR (4UF)	34	* 66069R0034	TEMP SENSOR (L=1200 COPPER C-BLACK)
27	66070R0027	RELAY / CONTACTOR FOR COMPRESSOR	35	* 66069R0035	TEMP SENSOR (L=1200 COPPER C-GREEN)
28	66069R0028	POWER TERMINAL	36	* 66069R0036	TEMP SENSOR (L=800 PLASTIC C-WHITE)
29	66069R0029	PUMP TERMINAL	38	66069R0038	EXTENSION CABLE FOR DISPLAY (10M)
30	66069R0030	WATER FLOW SWITCH	39	66069R0039	BOTTOM HEATER FOR EVAPORATOR
31	66069R0031	HIGH PRESSURE SWITCH	40	66069R0040	PROTECTION BOX FOR DISPLAY
32	66069R0032	LOW PRESSURE SWITCH	41	66069R0041	WATER CONNECTOR
33	* 66069R0033	TEMP SENSOR (L=1200 COPPER C-RED)	42	66069R0042	WATER CONDENSATION PURGE

CODE **66071, 66072**

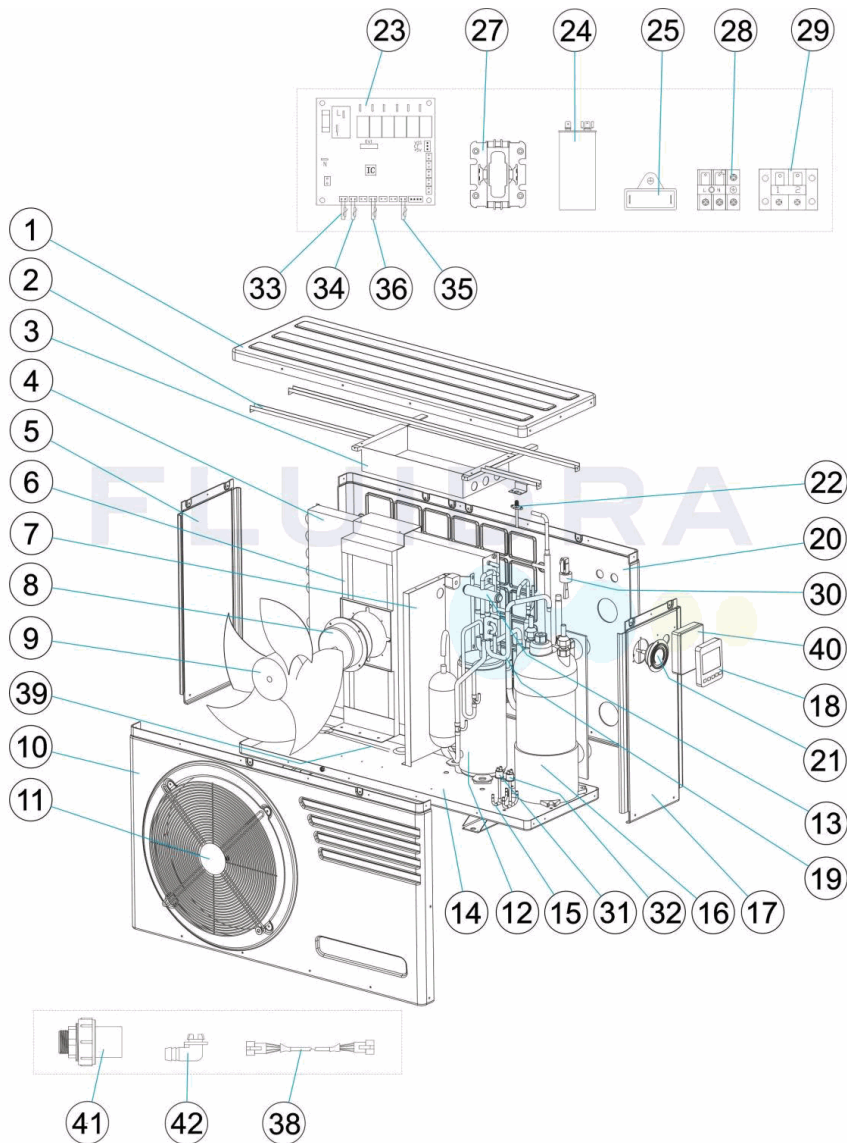
DESCRIPTION: **HEAT PUMP EVOLINE 13-15**

OBSERVATIONS

POS	CODE	OBSERVATIONS
4	66071R0004	FOR: 66071
4	66072R0004	FOR: 66072
12	66071R0012	FOR: 66071
12	66072R0012	FOR: 66072
16	66071R0016	FOR: 66071
16	66072R0016	FOR: 66072
19	66071R0019	FOR: 66071
19	66072R0019	FOR: 66072
33	66069R0033	ENTRADA AGUA / INLET WATER
34	66069R0034	SALIDA AGUA / OUTLET WATER
35	66069R0035	SERPENTÍN EVAPORADOR / EVAPORATOR COIL
36	66069R0036	AIRE / AIR

CODICE 66071, 66072

DESCRIZIONE: POMPA DI CALORE EVOLINE 13-15



ITALIANO

POS	CODICE	DESCRIZIONE	POS	CODICE	DESCRIZIONE
1	66071R0001	COPERCHIO SUPERIORE ABS	13	66070R0013	VALVOLA A 4 VIE
2	66071R0002	SUPPORTO PER COPERCHIO SUPERIORE	14	66071R0014	PANNELLO INFERIORE
3	66071R0003	SCATOLA DI DERIVAZIONE	15	66069R0015	TUBAZIONE PER PRESSOSTATO
4 *	66071R0004	EVAPORATORE	16 *	66071R0016	INTERCAMBIATORE IN TITANIO
4 *	66072R0004	EVAPORATORE	16 *	66072R0016	INTERCAMBIATORE IN TITANIO
5	66071R0005	PANNELLO SINISTRO ABS	17	66071R0017	PANNELLO DESTRO ABS
6	66071R0006	SUPPORTO PER VENTILATORE MOTORE	18	66069R0018	CONTROLLER SCHERMO LED (WIFI)
7	66071R0007	PANNELLO PARTIZIONE	19 *	66071R0019	TUBAZIONE PER INTERCAMBIATORE
8	66071R0008	MOTORE VENTILATORE	19 *	66072R0019	TUBAZIONE PER INTERCAMBIATORE
9	66071R0009	PALE VENTILATORE	20	66071R0020	PANNELLO POSTERIORE ABS
10	66071R0010	PANNELLO FRONTALE ABS	21	66069R0021	MANOMETRO
11	66071R0011	GRIGLIA VENTILATORE	22	66069R0022	VALVOLA DI SVUOTAMENTO/RIEMPIMENTO
12 *	66071R0012	COMPRESSORE	23	66069R0023	SCHEDA BASE PCB (WIFI)

* -> SI FACCIA RIFERIMENTO AL FOGLIO DELLE OSSERVAZIONI

CODICE **66071, 66072**

DESCRIZIONE: **POMPA DI CALORE EVOLINE 13-15**

12	* 66072R0012	COMPRESSORE	24	66071R0024	CONDENSATORE COMPRESSORE (50UF)
25	66071R0025	CONDENSATORE VENTILATORE (4UF)	34	* 66069R0034	SENSORE TEMPERATURA
27	66070R0027	RELÈ PER COMPRESSORE	35	* 66069R0035	SENSORE TEMPERATURA
28	66069R0028	TERMINALE DI POTENZA	36	* 66069R0036	SENSORE TEMPERATURA
29	66069R0029	TERMINALE PER POMPA	38	66069R0038	ESTENSIONE CAVO PER SCHERMO (10M)
30	66069R0030	FLUSSOSTATO	39	66069R0039	RESISTENZA DISGELO
31	66069R0031	INTERRUTTORE ALTA PRESSIONE	40	66069R0040	SCATOLA PROTETTIVA PER SCHERMO
32	66069R0032	INTERRUTTORE BASSA PRESSIONE	41	66069R0041	CONNETTORE ACQUA
33	* 66069R0033	SENSORE TEMPERATURA	42	66069R0042	SCARICO ACQUA CONDENSAZIONE

CODICE **66071, 66072**

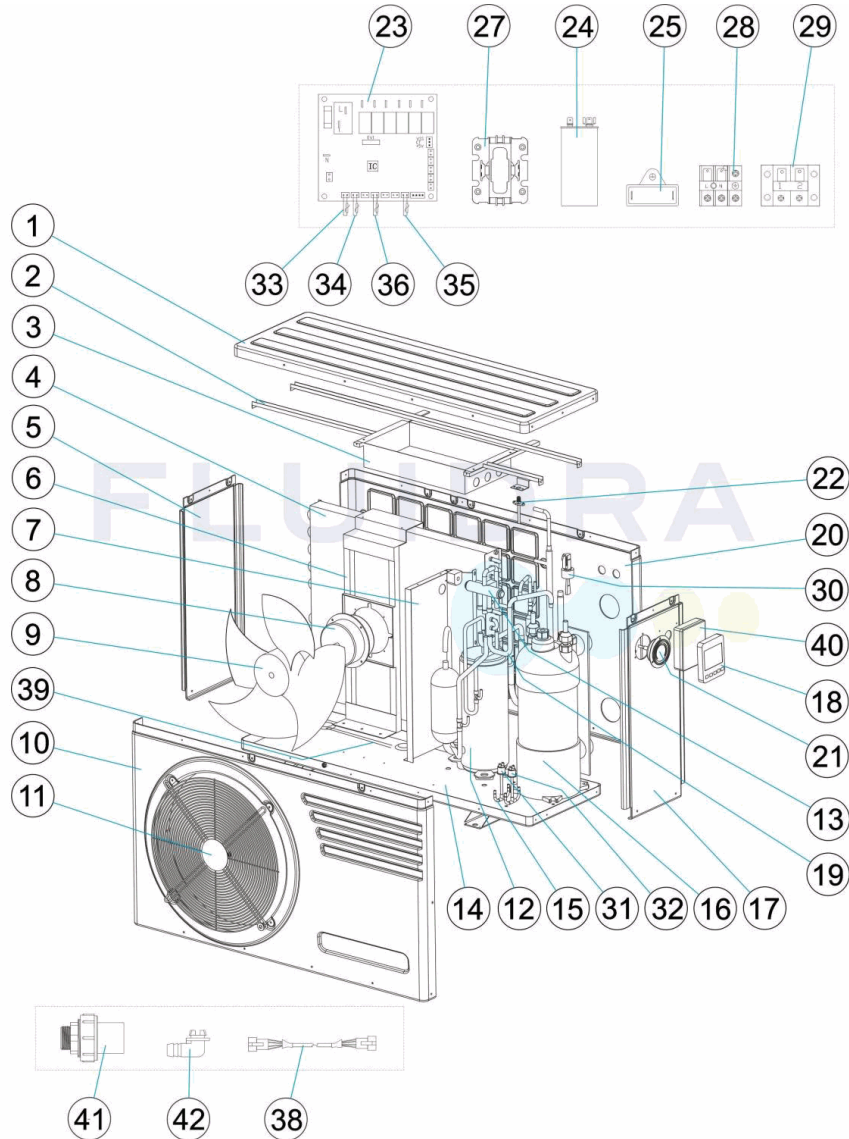
DESCRIZIONE: **POMPA DI CALORE EVOLINE 13-15**

OSSERVAZIONI

POS	CODICE	OSSERVAZIONI
4	66071R0004	PER: 66071
4	66072R0004	PER: 66072
12	66071R0012	PER: 66071
12	66072R0012	PER: 66072
16	66071R0016	PER: 66071
16	66072R0016	PER: 66072
19	66071R0019	PER: 66071
19	66072R0019	PER: 66072
33	66069R0033	ENTRADA AGUA / INLET WATER
34	66069R0034	SALIDA AGUA / OUTLET WATER
35	66069R0035	SERPENTÍN EVAPORADOR / EVAPORATOR COIL
36	66069R0036	AIRE / AIR

CODE **66071, 66072**

BESCHREIBUNG: **WÄRMEPUMPE EVOLINE 13-15**



DEUTSCH

POS	CODE	BESCHREIBUNG	POS	CODE	BESCHREIBUNG
1	66071R0001	ABDECKUNG OBEN ABS	13	66070R0013	4-WEGE-VENTIL
2	66071R0002	HALTERUNG FÜR ABDECKUNG OBEN	14	66071R0014	UNTERPLATTE
3	66071R0003	ELEKTRONIKSCHRANK	15	66069R0015	VERROHRUNG DRUCKSCHALTER
4 *	66071R0004	VERDAMPFER	16 *	66071R0016	WÄRMEÜBERTRAGER TITANIUM
4 *	66072R0004	VERDAMPFER	16 *	66072R0016	WÄRMEÜBERTRAGER TITANIUM
5	66071R0005	PLATTE LINKS ABS	17	66071R0017	PLATTE RECHTS ABS
6	66071R0006	HALTERUNG MOTORVENTILATOR	18	66069R0018	DRIVER LED DISPLAY (WIFI)
7	66071R0007	ZWISCHENPLATTE	19 *	66071R0019	VERROHRUNG WÄRMEÜBERTRAGER
8	66071R0008	VENTILATORMOTOR	19 *	66072R0019	VERROHRUNG WÄRMEÜBERTRAGER
9	66071R0009	ROTORBLÄTTER VENTILATOR	20	66071R0020	PLATTE HINTEN ABS
10	66071R0010	FRONTPLATTE ABS	21	66069R0021	MANOMETER
11	66071R0011	VENTILATORGITTER	22	66069R0022	VENTIL BEFÜLLUNG/ENTLEERUNG
12 *	66071R0012	KOMPRESSOR	23	66069R0023	BASISPLATTE PCB (WIFI)

* -> SIEHE ANMERKUNGSBLATT

CODE **66071, 66072**

BESCHREIBUNG: **WÄRMEPUMPE EVOLINE 13-15**

12	* 66072R0012	KOMPRESSOR	24	66071R0024	KOMPRESSORKONDENSATOR (50 UF)
25	66071R0025	VENTILATORKONDENSATOR (4 UF)	34	* 66069R0034	TEMPERATURFÜHLER
27	66070R0027	KOMPRESSORRELAIS	35	* 66069R0035	TEMPERATURFÜHLER
28	66069R0028	ANSCHLUSS	36	* 66069R0036	TEMPERATURFÜHLER
29	66069R0029	ANSCHLUSS FÜR PUMPE	38	66069R0038	VERLÄNGERUNGSKABEL DISPLAY (10 M)
30	66069R0030	DURCHFLUSSMESSER	39	66069R0039	HEIZSTAB ENTEISER
31	66069R0031	SCHALTER HOCHDRUCK	40	66069R0040	SCHUTZSCHRANK FÜR DISPLAY
32	66069R0032	SCHALTER TIEFDRUCK	41	66069R0041	ANSCHLUSS WASSER
33	* 66069R0033	TEMPERATURFÜHLER	42	66069R0042	ABLASS KONDENSWASSER

CODE **66071, 66072**

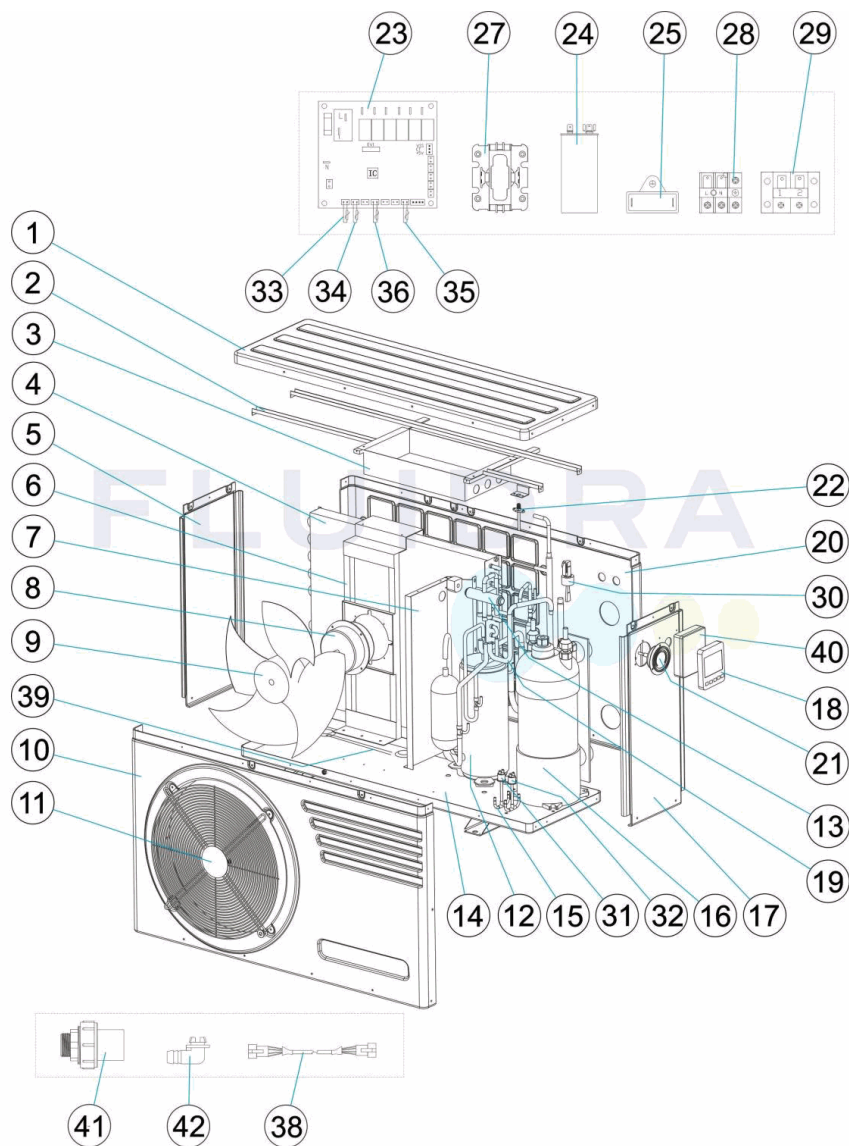
BESCHREIBUNG: **WÄRMEPUMPE EVOLINE 13-15**

HINWEISE

POS	CODE	HINWEISE
4	66071R0004	FÜR: 66071
4	66072R0004	FÜR: 66072
12	66071R0012	FÜR: 66071
12	66072R0012	FÜR: 66072
16	66071R0016	FÜR: 66071
16	66072R0016	FÜR: 66072
19	66071R0019	FÜR: 66071
19	66072R0019	FÜR: 66072
33	66069R0033	ENTRADA AGUA / INLET WATER
34	66069R0034	SALIDA AGUA / OUTLET WATER
35	66069R0035	SERPENTÍN EVAPORADOR / EVAPORATOR COIL
36	66069R0036	AIRE / AIR

CODIGO **66071, 66072**

DESCRIÇÃO: **BOMBA DE CALOR EVOLINE 13-15**



PORTUGUES

POS	CODIGO	DESCRIÇÃO	POS	CODIGO	DESCRIÇÃO
1	66071R0001	TAMPA SUPERIOR ABS	13	66070R0013	VÁLVULA DE 4 VIAS
2	66071R0002	SUPORTE PARA TAMPA SUPERIOR	14	66071R0014	PAINEL INFERIOR
3	66071R0003	CAIXA ELÉTRICA	15	66069R0015	TUBAGENS PARA PRESSÓSTATO
4 *	66071R0004	EVAPORADOR	16 *	66071R0016	PERMUTADOR DE TITÂNIO
4 *	66072R0004	EVAPORADOR	16 *	66072R0016	PERMUTADOR DE TITÂNIO
5	66071R0005	PAINEL ESQUERDO ABS	17	66071R0017	PAINEL DIREITO ABS
6	66071R0006	SUPORTE PARA VENTILADOR MOTOR	18	66069R0018	CONTROLADOR DE ECRÃ LED (WIFI)
7	66071R0007	PAINEL PARTIÇÃO	19 *	66071R0019	TUBAGENS PARA PERMUTADOR
8	66071R0008	MOTOR VENTILADOR	19 *	66072R0019	TUBAGENS PARA PERMUTADOR
9	66071R0009	PÁS VENTILADOR	20	66071R0020	PAINEL POSTERIOR ABS
10	66071R0010	PAINEL FRONTAL ABS	21	66069R0021	MANÓMETRO
11	66071R0011	GRADE VENTILADOR	22	66069R0022	VÁLVULA PARA ESVAZIAR/ENCHER
12 *	66071R0012	COMPRESSOR	23	66069R0023	PLACA BASE PCB (WIFI)

*** -> VEJA A FICHA DE OBSERVAÇÕES**

CODIGO **66071, 66072**

DESCRIÇÃO: **BOMBA DE CALOR EVOLINE 13-15**

12	* 66072R0012	COMPRESSOR	24	66071R0024	CONDENSADOR COMPRESSOR (50UF)
25	66071R0025	CONDENSADOR VENTILADOR (4UF)	34	* 66069R0034	SENSOR TEMPERATURA
27	66070R0027	RELÉ PARA COMPRESSOR	35	* 66069R0035	SENSOR TEMPERATURA
28	66069R0028	TERMINAL DE POTÊNCIA	36	* 66069R0036	SENSOR TEMPERATURA
29	66069R0029	TERMINAL PARA BOMBA	38	66069R0038	EXTENSÃO CABO PARA ECRÃ (10M)
30	66069R0030	COMUTADOR DO CAUDAL DA ÁGUA	39	66069R0039	RESISTÊNCIA DESCONGELAÇÃO
31	66069R0031	INTERRUPTOR ALTA PRESSÃO	40	66069R0040	CAIXA PROTEÇÃO PARA ECRÃ
32	66069R0032	INTERRUPTOR BAIXA PRESSÃO	41	66069R0041	TOMADA DE ABASTECIMENTO DE ÁGUA
33	* 66069R0033	SENSOR TEMPERATURA	42	66069R0042	PURGA ÁGUA CONDENSAÇÃO

CODIGO **66071, 66072**

DESCRIÇÃO: **BOMBA DE CALOR EVOLINE 13-15**

OBSERVAÇÕES

POS	CODIGO	OBSERVAÇÕES
4	66071R0004	PARA: 66071
4	66072R0004	PARA: 66072
12	66071R0012	PARA: 66071
12	66072R0012	PARA: 66072
16	66071R0016	PARA: 66071
16	66072R0016	PARA: 66072
19	66071R0019	PARA: 66071
19	66072R0019	PARA: 66072
33	66069R0033	ENTRADA AGUA / INLET WATER
34	66069R0034	SALIDA AGUA / OUTLET WATER
35	66069R0035	SERPENTÍN EVAPORADOR / EVAPORATOR COIL
36	66069R0036	AIRE / AIR