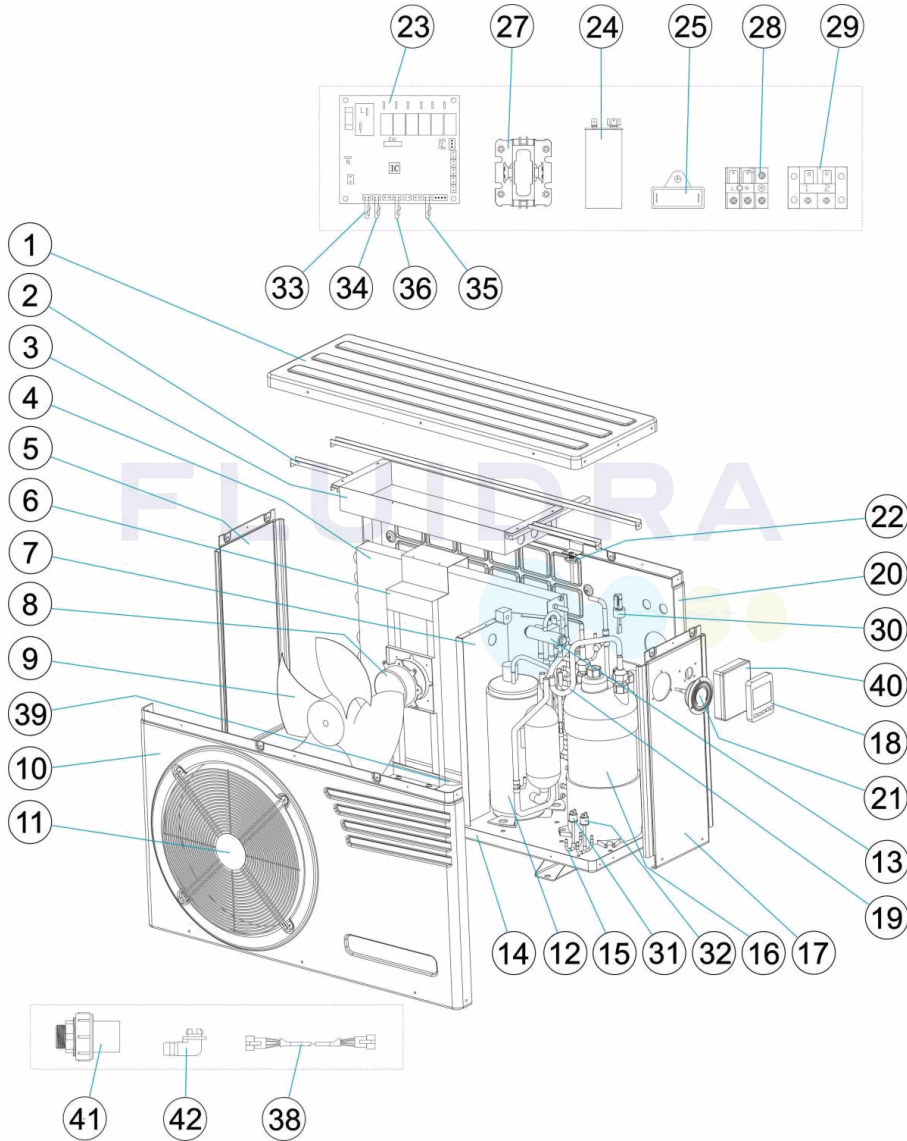


CODIGO **66070**

DESCRIPCION: **BOMBA DE CALOR EVOLINE 10**



ESPAÑOL

POS	CODIGO	DESCRIPCION	POS	CODIGO	DESCRIPCION
1	66070R0001	TAPA SUPERIOR ABS	15	66069R0015	TUBERÍAS PARA PRESOSTATO
2	66070R0002	SOPORTE PARA TAPA SUPERIOR	16	66070R0016	INTERCAMBIADOR DE TITANIO
3	66070R0003	CAJA ELECTRICA	17	66070R0017	PANEL DERECHO ABS
4	66070R0004	EVAPORADOR	18	66069R0018	CONTROLADOR PANTALLA LED (WIFI)
5	66070R0005	PANEL IZQUIERDO ABS	19	66070R0019	TUBERIAS PARA INTERCAMBIADOR
6	66070R0006	SOPORTE PARA VENTILADOR MOTOR	20	66070R0020	PANEL POSTERIOR ABS
7	66070R0007	PANEL PARTICIÓN	21	66069R0021	MANÓMETRO
8	66070R0008	MOTOR VENTILADOR	22	66069R0022	VÁLVULA PARA VACIADO/RELLENO
9	66070R0009	ASPAS VENTILADOR	23	66069R0023	PLACA BASE PCB (WIFI)
10	66070R0010	PANEL FRONTAL ABS	24	66070R0024	CONDENSADOR COMPRESOR (45UF)
11	66070R0011	REJILLA VENTILADOR	25	66069R0025	CONDENSADOR VENTILADOR (2UF)
12	66070R0012	COMPRESOR	27	66070R0027	RELÉ PARA COMPRESOR
13	66070R0013	VALVULA DE 4 VIAS	28	66069R0028	TERMINAL DE POTENCIA

*** -> VER HOJA DE OBSERVACIONES**

CODIGO **66070**

DESCRIPCION: **BOMBA DE CALOR EVOLINE 10**

14	66070R0014	PANEL INFERIOR	29	66069R0029	TERMINAL PARA BOMBA
30	66069R0030	FLUJOSTATO	36	* 66069R0036	SENSOR TEMP (L=800 PLAST. C-BLANCO)
31	66069R0031	INTERRUPTOR ALTA PRESIÓN	38	66069R0038	EXTENSIÓN CABLE PARA PANTALLA (10M)
32	66069R0032	INTERRUPTOR BAJA PRESIÓN	39	66069R0039	RESISTENCIA DESHIELO
33	* 66069R0033	SENSOR TEMP (L=1200 COBRE C-ROJO)	40	66069R0040	CAJA PROTECCIÓN PARA PANTALLA
34	* 66069R0034	SENSOR TEMP (L=1200 COBRE C-NEGRO)	41	66069R0041	CONECTOR DE AGUA
35	* 66069R0035	SENSOR TEMP (L=1200 COBRE C-VERDE)	42	66069R0042	PURGA AGUA CONDENSACIÓN

CODIGO **66070**

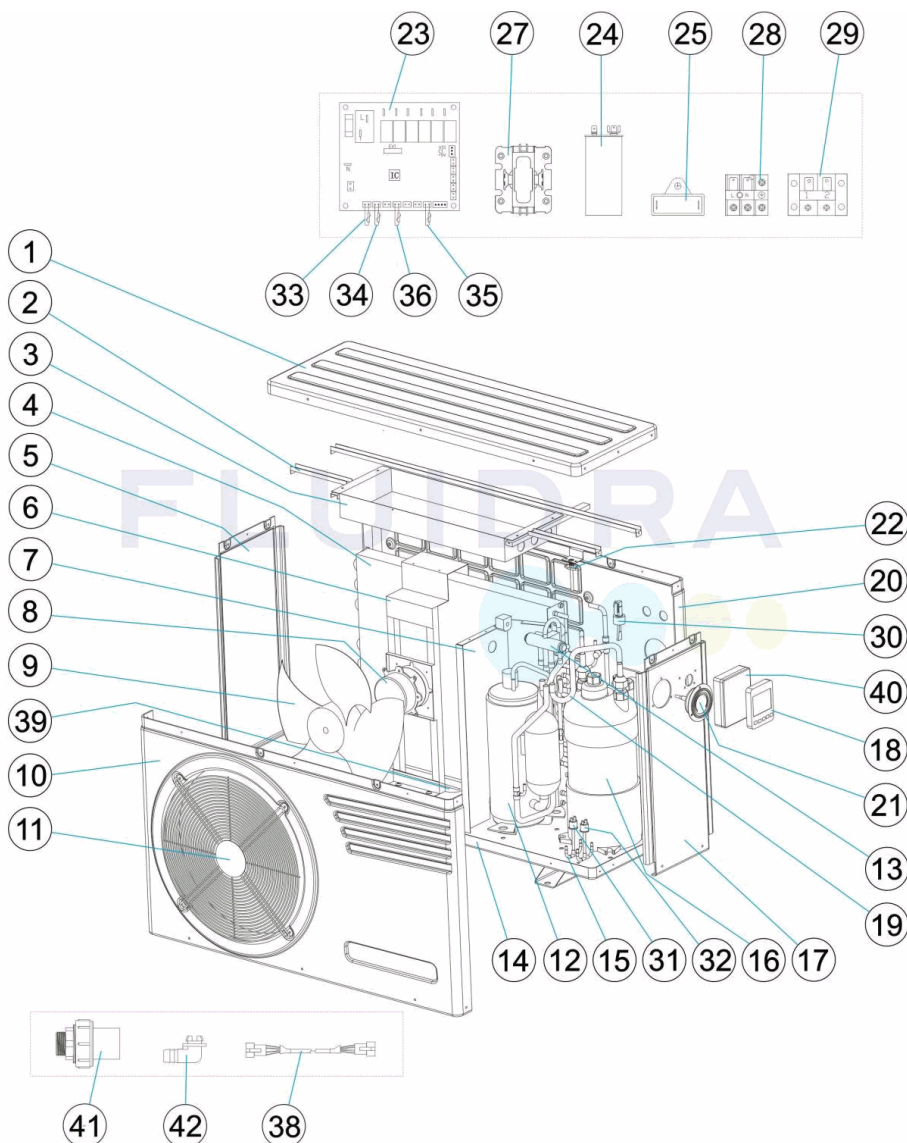
DESCRIPCION: **BOMBA DE CALOR EVOLINE 10**

OBSERVACIONES

POS	CODIGO	OBSERVACIONES
33	66069R0033	ENTRADA AGUA / INLET WATER
34	66069R0034	SALIDA AGUA / OUTLET WATER
35	66069R0035	SERPENTÍN EVAPORADOR / EVAPORATOR COIL
36	66069R0036	AIRE / AIR

CODE 66070

DESCRIPTION: POMPE À CHALEUR EVOLINE 10



FRANCAIS

POS	CODE	DESCRIPTION	POS	CODE	DESCRIPTION
1	66070R0001	COUVERCLE SUPÉRIEUR ABS	15	66069R0015	TUYAUTERIES POUR PRESSOSTAT
2	66070R0002	SUPPORT POUR COUVERCLE SUPÉRIEUR	16	66070R0016	ÉCHANGEUR EN TITANE
3	66070R0003	BOÎTIER ÉLECTRIQUE	17	66070R0017	PANNEAU DROIT ABS
4	66070R0004	ÉVAPORATEUR	18	66069R0018	CONTRÔLEUR ÉCRAN LED (WIFI)
5	66070R0005	PANNEAU GAUCHE ABS	19	66070R0019	TUYAUTERIES POUR ÉCHANGEUR
6	66070R0006	SUPPORT POUR VENTILATEUR MOTEUR	20	66070R0020	PANNEAU POSTÉRIEUR ABS
7	66070R0007	PANNEAU SÉPARATION	21	66069R0021	MANOMÈTRE
8	66070R0008	MOTEUR VENTILATEUR	22	66069R0022	VANNE DE VIDANGE/REPLISSAGE
9	66070R0009	PALES VENTILATEUR	23	66069R0023	PLAQUE BASE PCB (WIFI)
10	66070R0010	PANNEAU FRONTAL ABS	24	66070R0024	CONDENSATEUR COMPRESSEUR (45UF)
11	66070R0011	GRILLE VENTILATEUR	25	66069R0025	CONDENSATEUR VENTILATEUR (2UF)
12	66070R0012	COMPRESSEUR	27	66070R0027	RELAIS POUR COMPRESSEUR
13	66070R0013	VANNE 4 VOIES	28	66069R0028	BORNE DE PUISSANCE

* -> VOIR FICHE D'OBSERVATIONS

CODE **66070**

DESCRIPTION: **POMPE À CHALEUR EVOLINE 10**

14	66070R0014	PANNEAU INFÉRIEUR	29	66069R0029	BORNE POUR POMPE
30	66069R0030	FLUXOSTAT	36	* 66069R0036	CAPTEUR TEMPÉRATURE
31	66069R0031	INTERRUPTEUR HAUTE PRESSION	38	66069R0038	RALLONGE CÂBLE POUR ÉCRAN (10 M)
32	66069R0032	INTERRUPTEUR BASSE PRESSION	39	66069R0039	RÉSISTANCE DÉGEL
33	* 66069R0033	CAPTEUR TEMPÉRATURE	40	66069R0040	BOÎTIER PROTECTION POUR ÉCRAN
34	* 66069R0034	CAPTEUR TEMPÉRATURE	41	66069R0041	RACCORD EAU
35	* 66069R0035	CAPTEUR TEMPÉRATURE	42	66069R0042	PURGE EAU CONDENSATION

CODE **66070**

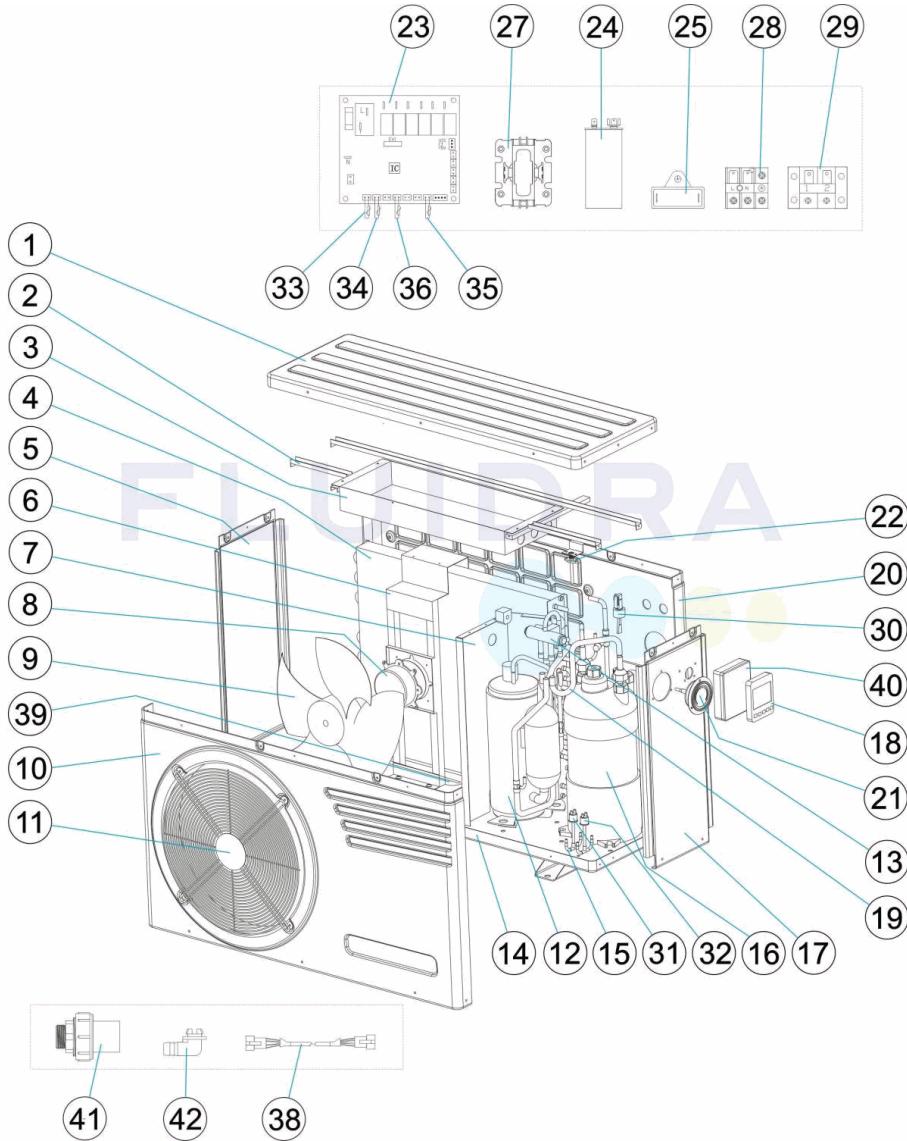
DESCRIPTION: **POMPE À CHALEUR EVOLINE 10**

OBSERVATIONS

POS	CODE	OBSERVATIONS
33	66069R0033	ENTRADA AGUA / INLET WATER
34	66069R0034	SALIDA AGUA / OUTLET WATER
35	66069R0035	SERPENTÍN EVAPORADOR / EVAPORATOR COIL
36	66069R0036	AIRE / AIR

CODE **66070**

DESCRIPTION: **HEAT PUMP EVOLINE 10**



ENGLISH

POS	CODE	DESCRIPTION	POS	CODE	DESCRIPTION
1	66070R0001	TOP CAP ABS	15	66069R0015	PIPEWORK FOR PRESSURE SWITCH
2	66070R0002	TOP CAP HOLDER	16	66070R0016	TITANIUM HEAT EXCHANGER
3	66070R0003	ELECTRIC BOX	17	66070R0017	RIGHT PANEL ABS
4	66070R0004	EVAPORATOR	18	66069R0018	LED DISPLAY CONTROLLER (WIFI)
5	66070R0005	LEFT PANEL ABS	19	66070R0019	PIPEWORK FOR HEAT EXCHANGER
6	66070R0006	FAN MOTOR HOLDER	20	66070R0020	BACK PANEL ABS
7	66070R0007	PARTITION PANEL	21	66069R0021	MANOMETER
8	66070R0008	FAN MOTOR	22	66069R0022	VALVE FOR VACUUM & FILLING
9	66070R0009	FAN BLADE	23	66069R0023	CONTROLLER MAIN PCB (WIFI)
10	66070R0010	FRONT PANEL ABS	24	66070R0024	COMPRESSOR CAPACITOR (45UF)
11	66070R0011	FAN GUARD	25	66069R0025	FAN CAPACITOR (2UF)
12	66070R0012	COMPRESSOR	27	66070R0027	RELAY / CONTACTOR FOR COMPRESSOR
13	66070R0013	4-WAY VALVE	28	66069R0028	POWER TERMINAL

*** -> SEE OBSERVATIONS SHEET**

CODE **66070**

DESCRIPTION: **HEAT PUMP EVOLINE 10**

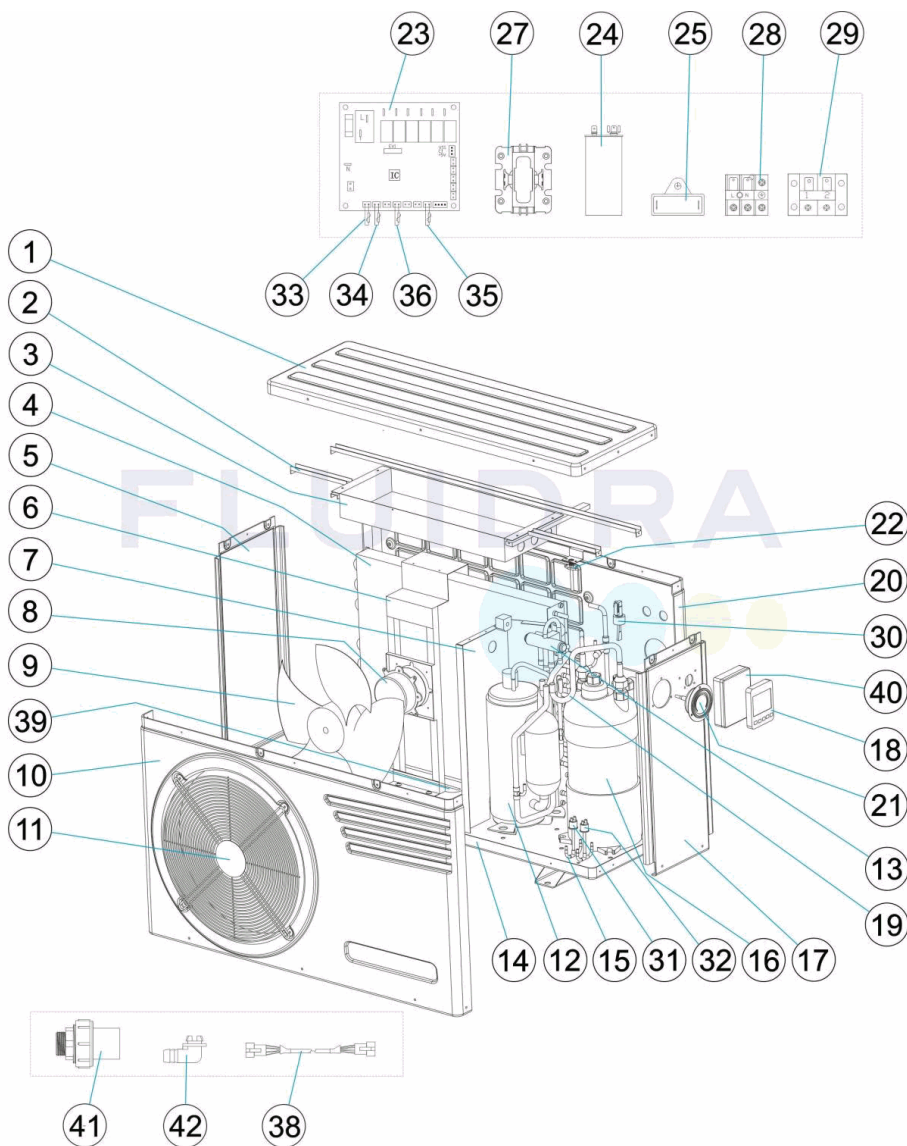
14	66070R0014	BOTTOM PANEL	29	66069R0029	PUMP TERMINAL
30	66069R0030	WATER FLOW SWITCH	36	* 66069R0036	TEMP SENSOR (L=800 PLASTIC C-WHITE)
31	66069R0031	HIGH PRESSURE SWITCH	38	66069R0038	EXTENSION CABLE FOR DISPLAY (10M)
32	66069R0032	LOW PRESSURE SWITCH	39	66069R0039	BOTTOM HEATER FOR EVAPORATOR
33	* 66069R0033	TEMP SENSOR (L=1200 COPPER C-RED)	40	66069R0040	PROTECTION BOX FOR DISPLAY
34	* 66069R0034	TEMP SENSOR (L=1200 COPPER C-BLACK)	41	66069R0041	WATER CONNECTOR
35	* 66069R0035	TEMP SENSOR (L=1200 COPPER C-GREEN)	42	66069R0042	WATER CONDENSATION PURGE

CODE **66070**DESCRIPTION: **HEAT PUMP EVOLINE 10****OBSERVATIONS**

POS	CODE	OBSERVATIONS
33	66069R0033	ENTRADA AGUA / INLET WATER
34	66069R0034	SALIDA AGUA / OUTLET WATER
35	66069R0035	SERPENTÍN EVAPORADOR / EVAPORATOR COIL
36	66069R0036	AIRE / AIR

CODICE **66070**

DESCRIZIONE: **POMPA DI CALORE EVOLINE 10**



ITALIANO

POS	CODICE	DESCRIZIONE	POS	CODICE	DESCRIZIONE
1	66070R0001	COPERCHIO SUPERIORE ABS	15	66069R0015	TUBAZIONE PER PRESSOSTATO
2	66070R0002	SUPPORTO PER COPERCHIO SUPERIORE	16	66070R0016	INTERCAMBIATORE IN TITANIO
3	66070R0003	SCATOLA DI DERIVAZIONE	17	66070R0017	PANNELLO DESTRO ABS
4	66070R0004	EVAPORATORE	18	66069R0018	CONTROLLER SCHERMO LED (WIFI)
5	66070R0005	PANNELLO SINISTRO ABS	19	66070R0019	TUBAZIONE PER INTERCAMBIATORE
6	66070R0006	SUPPORTO PER VENTILATORE MOTORE	20	66070R0020	PANNELLO POSTERIORE ABS
7	66070R0007	PANNELLO PARTIZIONE	21	66069R0021	MANOMETRO
8	66070R0008	MOTORE VENTILATORE	22	66069R0022	VALVOLA DI SVUOTAMENTO/RIEMPIMENTO
9	66070R0009	PALE VENTILATORE	23	66069R0023	SCHEDA BASE PCB (WIFI)
10	66070R0010	PANNELLO FRONTALE ABS	24	66070R0024	CONDENSATORE COMPRESSORE (45UF)
11	66070R0011	GRIGLIA VENTILATORE	25	66069R0025	CONDENSATORE VENTILATORE (2UF)
12	66070R0012	COMPRESSORE	27	66070R0027	RELÈ PER COMPRESSORE
13	66070R0013	VALVOLA A 4 VIE	28	66069R0028	TERMINALE DI POTENZA

*** -> SI FACCIA RIFERIMENTO AL FOGLIO DELLE OSSERVAZIONI**

CODICE **66070**

DESCRIZIONE: **POMPA DI CALORE EVOLINE 10**

14	66070R0014	PANNELLO INFERIORE	29	66069R0029	TERMINALE PER POMPA
30	66069R0030	FLUSSOSTATO	36	* 66069R0036	SENSORE TEMPERATURA
31	66069R0031	INTERRUTTORE ALTA PRESSIONE	38	66069R0038	ESTENSIONE CAVO PER SCHERMO (10M)
32	66069R0032	INTERRUTTORE BASSA PRESSIONE	39	66069R0039	RESISTENZA DISGELO
33	* 66069R0033	SENSORE TEMPERATURA	40	66069R0040	SCATOLA PROTETTIVA PER SCHERMO
34	* 66069R0034	SENSORE TEMPERATURA	41	66069R0041	CONNETTORE ACQUA
35	* 66069R0035	SENSORE TEMPERATURA	42	66069R0042	SCARICO ACQUA CONDENSAZIONE

CODICE **66070**

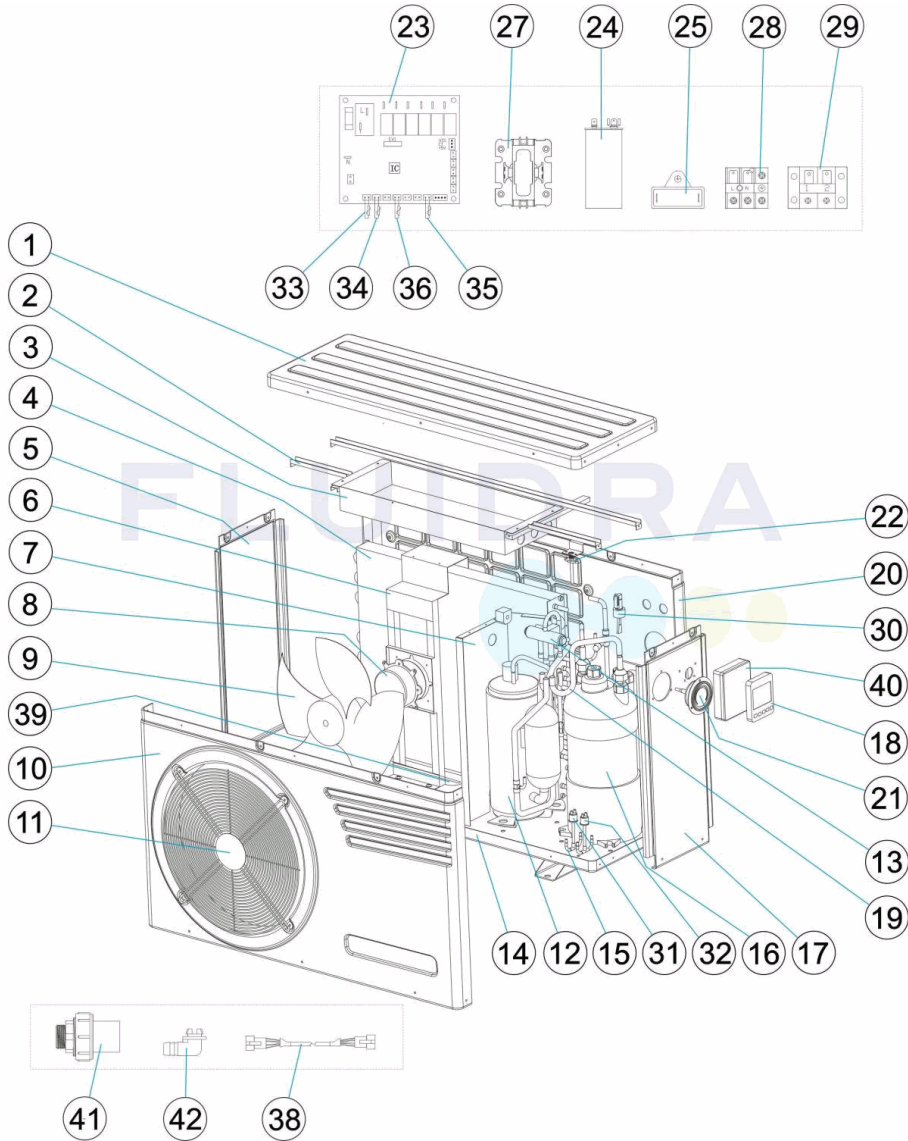
DESCRIZIONE: **POMPA DI CALORE EVOLINE 10**

OSSERVAZIONI

POS	CODICE	OSSERVAZIONI
33	66069R0033	ENTRADA AGUA / INLET WATER
34	66069R0034	SALIDA AGUA / OUTLET WATER
35	66069R0035	SERPENTÍN EVAPORADOR / EVAPORATOR COIL
36	66069R0036	AIRE / AIR

CODE **66070**

BESCHREIBUNG: **WÄRMEPUMPE EVOLINE 10**



DEUTSCH

POS	CODE	BESCHREIBUNG	POS	CODE	BESCHREIBUNG
1	66070R0001	ABDECKUNG OBEN ABS	15	66069R0015	VERROHRUNG DRUCKSCHALTER
2	66070R0002	HALTERUNG FÜR ABDECKUNG OBEN	16	66070R0016	WÄRMEÜBERTRAGER TITANIUM
3	66070R0003	ELEKTRONIKSCHRANK	17	66070R0017	PLATTE RECHTS ABS
4	66070R0004	VERDAMPFER	18	66069R0018	DRIVER LED DISPLAY (WIFI)
5	66070R0005	PLATTE LINKS ABS	19	66070R0019	VERROHRUNG WÄRMEÜBERTRAGER
6	66070R0006	HALTERUNG MOTORVENTILATOR	20	66070R0020	PLATTE HINTEN ABS
7	66070R0007	ZWISCHENPLATTE	21	66069R0021	MANOMETER
8	66070R0008	VENTILATORMOTOR	22	66069R0022	VENTIL BEFÜLLUNG/ENTLEERUNG
9	66070R0009	ROTORBLÄTTER VENTILATOR	23	66069R0023	BASISPLATTE PCB (WIFI)
10	66070R0010	FRONTPLATTE ABS	24	66070R0024	KOMPRESSORKONDENSATOR (45 UF)
11	66070R0011	VENTILATORGITTER	25	66069R0025	VENTILATORKONDENSATOR (2 UF)
12	66070R0012	KOMPRESSOR	27	66070R0027	KOMPRESSORRELAIS
13	66070R0013	4-WEGE-VENTIL	28	66069R0028	ANSCHLUSS

*** -> SIEHE ANMERKUNGSBLATT**

CODE **66070**

BESCHREIBUNG: **WÄRMEPUMPE EVOLINE 10**

14	66070R0014	UNTERPLATTE	29	66069R0029	ANSCHLUSS FÜR PUMPE
30	66069R0030	DURCHFLUSSMESSER	36	* 66069R0036	TEMPERATURFÜHLER
31	66069R0031	SCHALTER HOCHDRUCK	38	66069R0038	VERLÄNGERUNGSKABEL DISPLAY (10 M)
32	66069R0032	SCHALTER TIEFDRUCK	39	66069R0039	HEIZSTAB ENTEISER
33	* 66069R0033	TEMPERATURFÜHLER	40	66069R0040	SCHUTZSCHRANK FÜR DISPLAY
34	* 66069R0034	TEMPERATURFÜHLER	41	66069R0041	ANSCHLUSS WASSER
35	* 66069R0035	TEMPERATURFÜHLER	42	66069R0042	ABLASS KONDENSWASSER

CODE **66070**

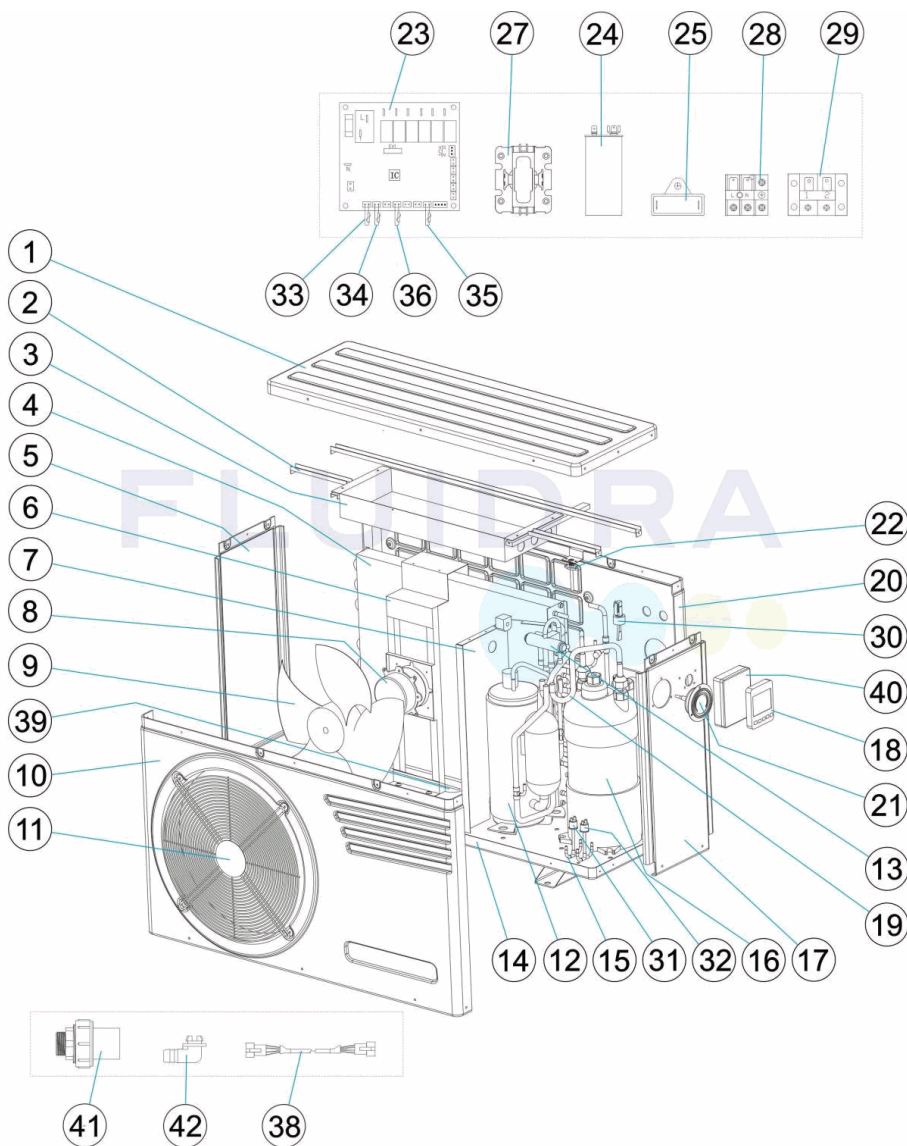
BESCHREIBUNG: **WÄRMEPUMPE EVOLINE 10**

HINWEISE

POS	CODE	HINWEISE
33	66069R0033	ENTRADA AGUA / INLET WATER
34	66069R0034	SALIDA AGUA / OUTLET WATER
35	66069R0035	SERPENTÍN EVAPORADOR / EVAPORATOR COIL
36	66069R0036	AIRE / AIR

CODIGO **66070**

DESCRIÇÃO: **BOMBA DE CALOR EVOLINE 10**



PORTUGUES

POS	CODIGO	DESCRIÇÃO	POS	CODIGO	DESCRIÇÃO
1	66070R0001	TAMPA SUPERIOR ABS	15	66069R0015	TUBAGENS PARA PRESSÓSTATO
2	66070R0002	SUPORTE PARA TAMPA SUPERIOR	16	66070R0016	PERMUTADOR DE TITÂNIO
3	66070R0003	CAIXA ELÉTRICA	17	66070R0017	PAINEL DIREITO ABS
4	66070R0004	EVAPORADOR	18	66069R0018	CONTROLADOR DE ECRÃ LED (WIFI)
5	66070R0005	PAINEL ESQUERDO ABS	19	66070R0019	TUBAGENS PARA PERMUTADOR
6	66070R0006	SUPORTE PARA VENTILADOR MOTOR	20	66070R0020	PAINEL POSTERIOR ABS
7	66070R0007	PAINEL PARTIÇÃO	21	66069R0021	MANÓMETRO
8	66070R0008	MOTOR VENTILADOR	22	66069R0022	VÁLVULA PARA ESVAZIAR/ENCHER
9	66070R0009	PÁS VENTILADOR	23	66069R0023	PLACA BASE PCB (WIFI)
10	66070R0010	PAINEL FRONTAL ABS	24	66070R0024	CONDENSADOR COMPRESSOR (45UF)
11	66070R0011	GRADE VENTILADOR	25	66069R0025	CONDENSADOR VENTILADOR (2UF)
12	66070R0012	COMPRESSOR	27	66070R0027	RELÉ PARA COMPRESSOR
13	66070R0013	VÁLVULA DE 4 VIAS	28	66069R0028	TERMINAL DE POTÊNCIA

*** -> VEJA A FICHA DE OBSERVAÇÕES**

CODIGO **66070**

DESCRIÇÃO: **BOMBA DE CALOR EVOLINE 10**

14	66070R0014	PAINEL INFERIOR	29	66069R0029	TERMINAL PARA BOMBA
30	66069R0030	COMUTADOR DO CAUDAL DA ÁGUA	36	* 66069R0036	SENSOR TEMPERATURA
31	66069R0031	INTERRUPTOR ALTA PRESSÃO	38	66069R0038	EXTENSÃO CABO PARA ECRÃ (10M)
32	66069R0032	INTERRUPTOR BAIXA PRESSÃO	39	66069R0039	RESISTÊNCIA DESCONGELAÇÃO
33	* 66069R0033	SENSOR TEMPERATURA	40	66069R0040	CAIXA PROTEÇÃO PARA ECRÃ
34	* 66069R0034	SENSOR TEMPERATURA	41	66069R0041	TOMADA DE ABASTECIMENTO DE ÁGUA
35	* 66069R0035	SENSOR TEMPERATURA	42	66069R0042	PURGA ÁGUA CONDENSAÇÃO

CODIGO 66070

DESCRIÇÃO: BOMBA DE CALOR EVOLINE 10

OBSERVAÇÕES

POS	CODIGO	OBSERVAÇÕES
33	66069R0033	ENTRADA AGUA / INLET WATER
34	66069R0034	SALIDA AGUA / OUTLET WATER
35	66069R0035	SERPENTÍN EVAPORADOR / EVAPORATOR COIL
36	66069R0036	AIRE / AIR