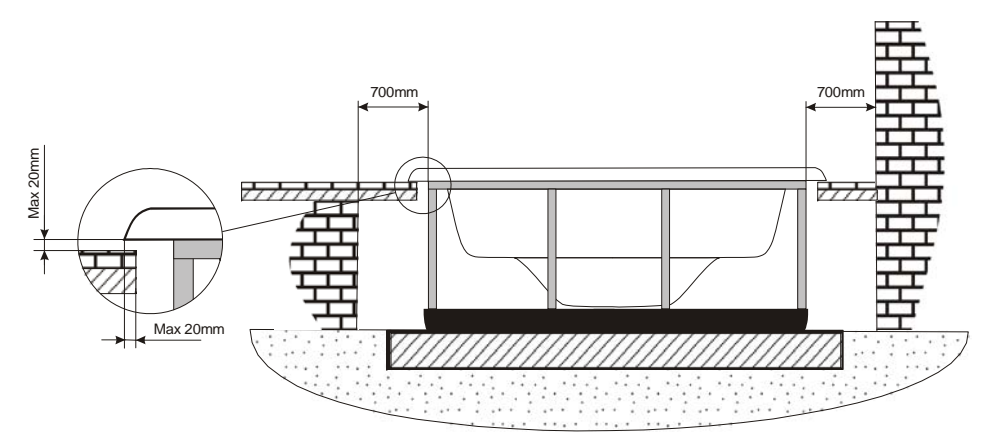


Inground option

WARNING:
It's essential to keep a minimum clearance access of **700mm** all around.



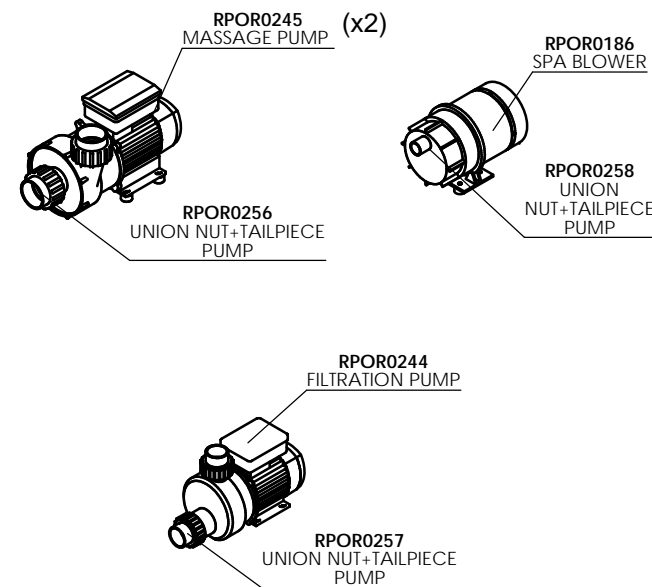
↑
↑
ELECTRICAL BOARD CONNECTIONS ACCESS

According to our policy of continuous improvement, dimensions, features or components of this product can be partially or completely changed without prior notice. It's Customer responsibility to verify that this is the last version of the drawing

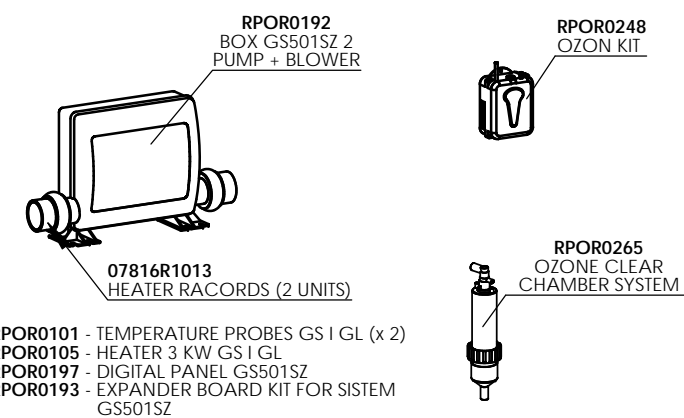
00	29/05/2015	I.Pozo	Drawing creation			
Change No.	Date	Name	Modification			
Remarks				COMMERCIAL		
Dimensions in mm. General Tolerances +/- 10mm						
Drawn	29/05/2015	I.Pozo			Part Number 62399	Rev. 00
Checked	29/05/2015	V.Saiz				
Scale	1:15	General Tolerance DIN 7168 ISO 2768g				
Sheet	1/2					

Position Num.	Part Nº SPARE	Description SPARE	Quant.
2	RPOR0225	GREY SPA DRAIN 2" ADAPTOR SOCKET D.50	4
4	REMP0046	WHITE-STAINLESS STEEL AIR NOZZLE	14
8	RROT0063	INTERNAL GREY DRAINPIPE	1
10	RPOR0239	SPOTLIGHT LED SET RD	5
10.1	RPOR0240	MASTER LED LIGHT	1
10.2	RPOR0252	LED SLAVE LIGHT	5
11	RPOR0236	JET BODY SET RD 3"	30
12	RPOR0231	FRONTAL JET 3" STAINLESS STEEL DIRECTIONAL	24
13	RPOR0232	FRONTAL JET 3" STAINLESS STEEL 1 JET ROTO	2
14	RPOR0233	FRONTAL JET 3" STAINLESS STEEL TWIN ROTO	4
15	RPOR0235	JET BODY SET RD 2"	21
16	RPOR0230	FRONTAL JET 2" STAINLESS STEEL DIRECTIONAL	14
17	RPOR0260	JET TWIN ROTO 2" INOX	7
18	RPOR0261	VENTURY CONTROLLER SS	3
19	RPOR0263	VALVE ON-OFF 1" SS	2
20	RPOR0262	3 WAYS SS VALVE 2"	1
21	RPOR0264	AROMA DISPENSER ASM LIT	1
22	RPOR0238	SKIMERFILTER RD LOW PROFILE	1
25	RPOR0196	DIGITAL PANEL VL700+COVER 2 PUMP + BLOWER	1
25.1	RPOR0202	COVER DIGITAL PANEL VL700 2 PUMP + BLOWER	1
28	RPOR0032	SMALL HEADREST GREY	3
30	RPOR0156	SKIMFILTER COVER	1
38	RPOR0247	FILTER CARTRIDGE SKIMFILTER RD	1
44	RPOR0278	SS 7" WATERFALL	2
45	RPOR0234	FRONTAL JET 5" STAINLESS STEEL DIRECTIONAL	1
46	RPOR0237	JET BODY SET RD 5"	1
49	RPOR0136	DRAIN FILL VALVE (BLACK)	1
50	RPOR0267	4 LEDS LIGHTS POINTS	7
51	RPOR0268	1 LED LIGHT POINT	4
70	RPOR0280	LEDS TRANSFORMER 5V DC	1
71	RPOR0281	LEDS CONTROLER	1
73	RPOR0259	CABLE 4 OUTPUTS + LEDS	4

PUMPS SPARE CODES

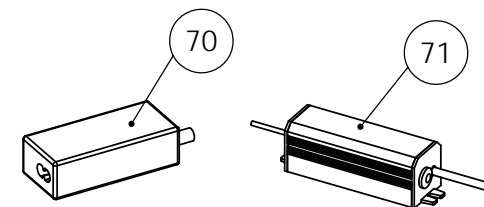


HEATER AND DESINFECTATION SPARE CODES

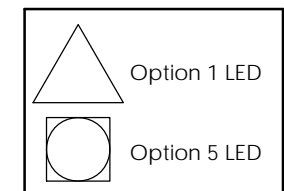
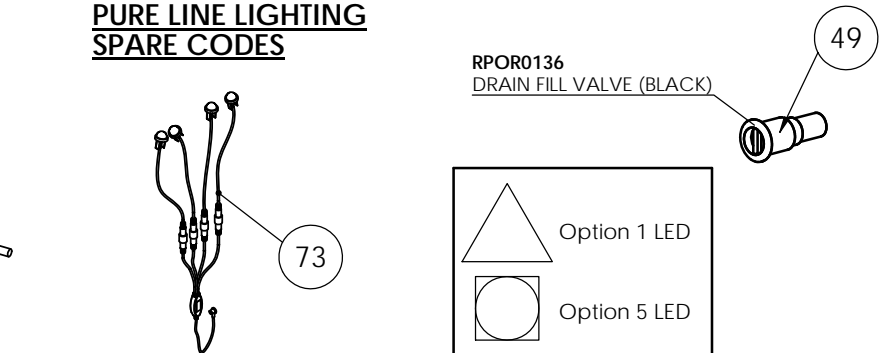


RPOR0101 - TEMPERATURE PROBES GS I GL (x 2)
 RPOR0105 - HEATER 3 KW GS I GL
 RPOR0197 - DIGITAL PANEL GS501SZ
 RPOR0193 - EXPANDER BOARD KIT FOR SISTEM GS501SZ

LIGHT COMPONENTS SPARE CODES



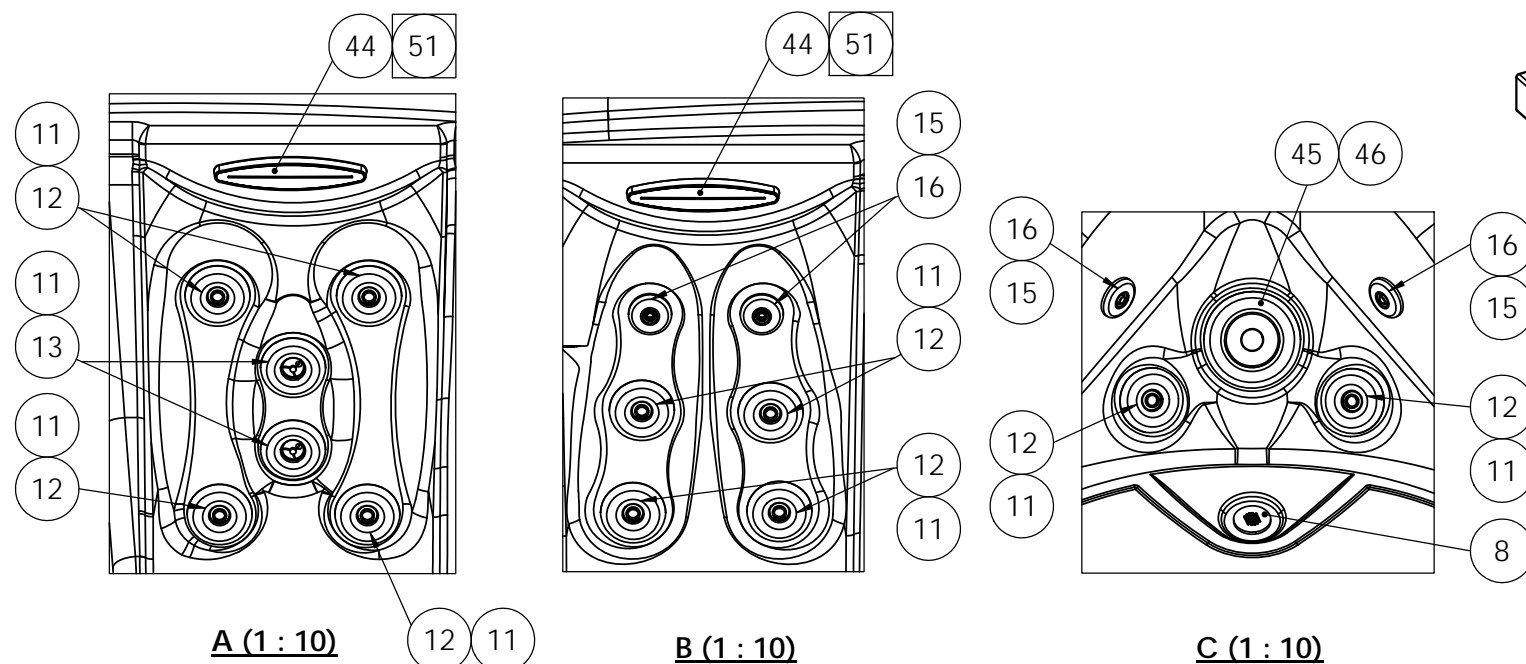
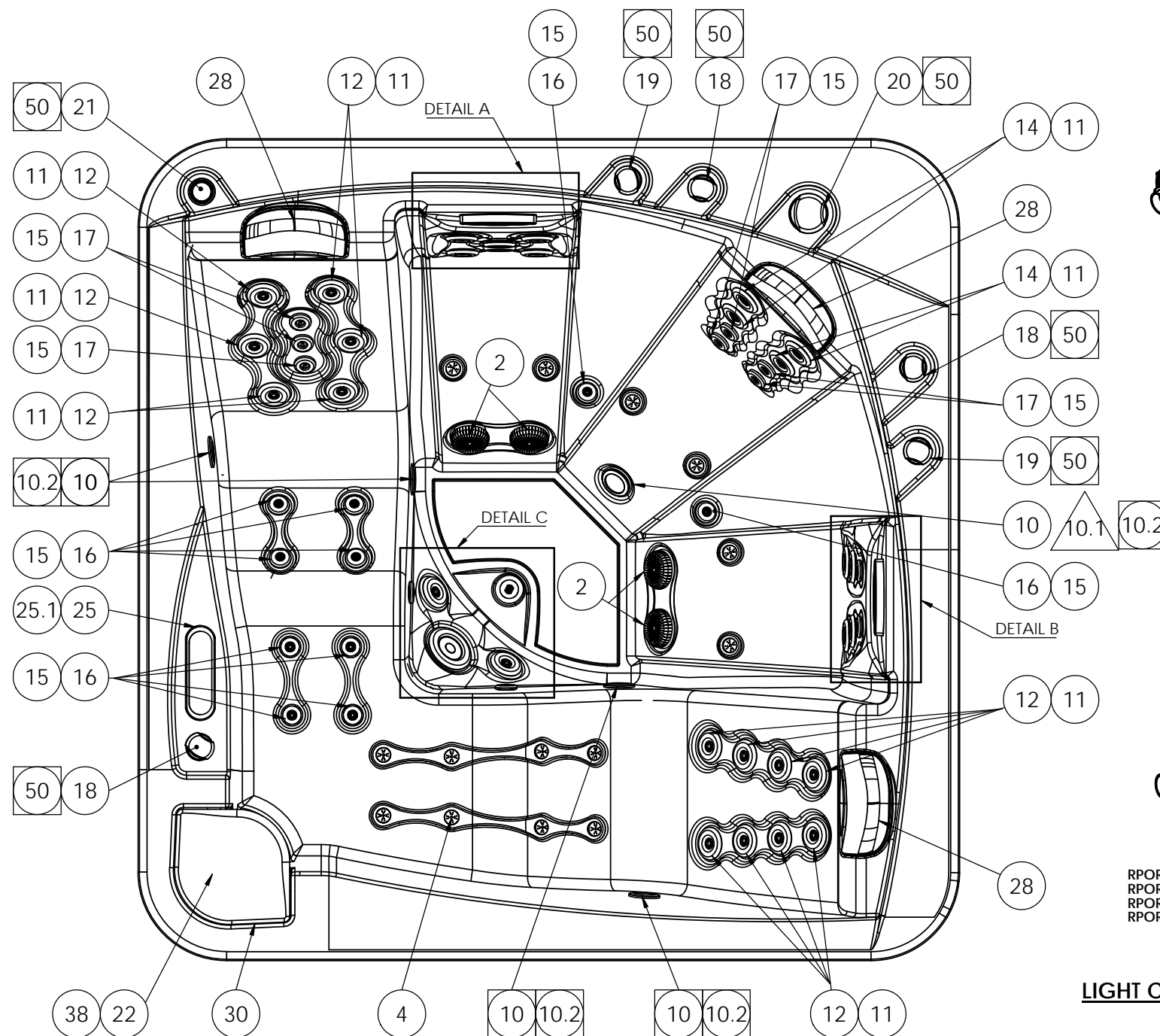
PURE LINE LIGHTING SPARE CODES



According to our policy of continuous improvement, dimensions, features or components of this product can be partially or completely changed without prior notice. It's Customer responsibility to verify that this is the last version of the drawing

Change No.	Date	Name	Modification
00	29/05/2015	I.Pozo	Drawing creation

Remarks		SPARE PARTS DRAWING	
Dimensions in mm. General Tolerances +/- 10mm			
Drawn	29/05/2015	I.Pozo	Part Number 62399
Checked	29/05/2015	V.Saiz	
Scale	1:15	General Tolerance DIN 7168 ISO 2768g	First Angle Projection
Sheet	2/2		



A (1 : 10)

B (1 : 10)

C (1 : 10)