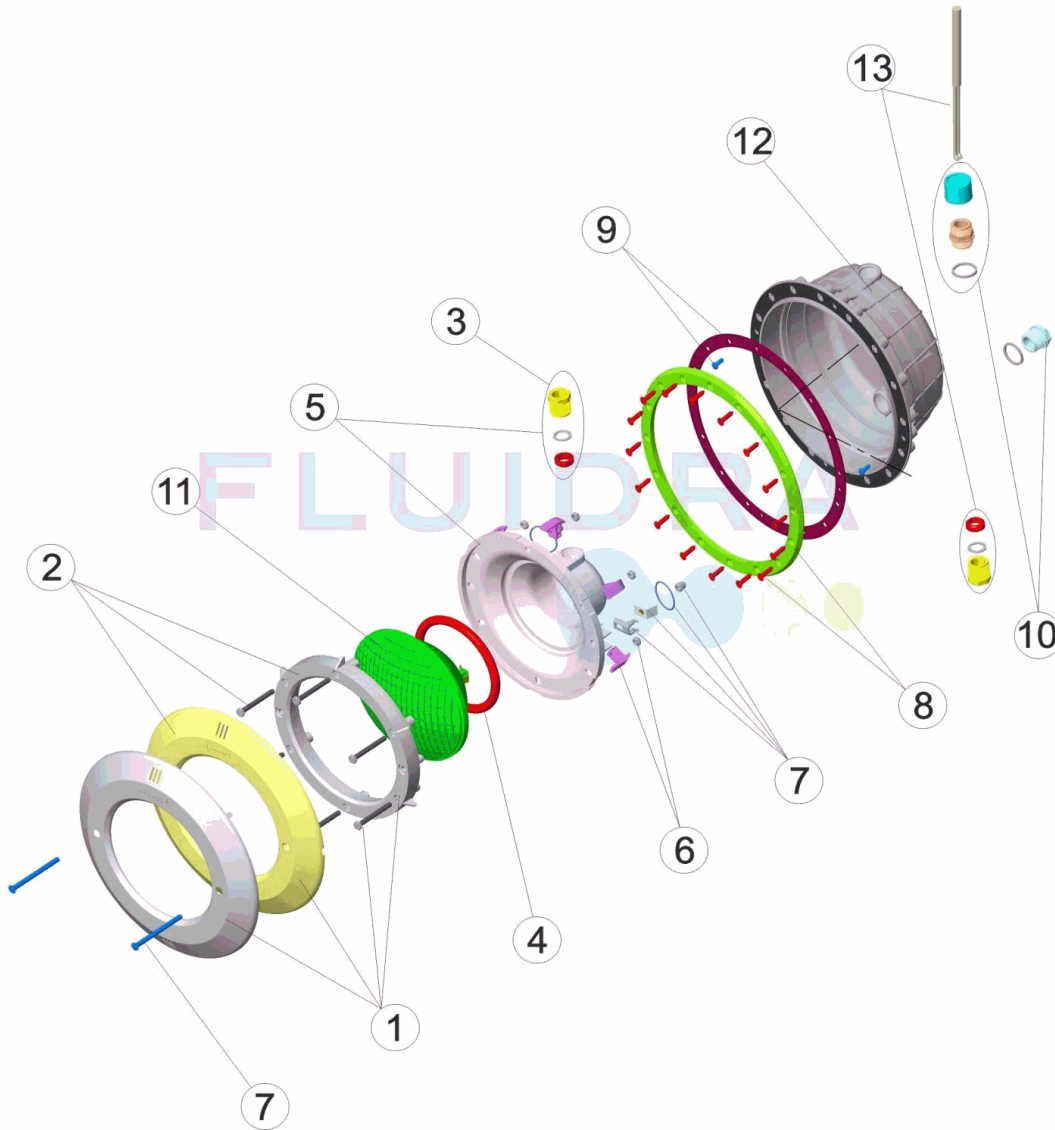


CODIGO **07855, 07856, 21080**

DESCRIPCION: **PROY. PP. EMB. INOX, BLANCO Y PARKER CABLE**



ESPAÑOL

POS	CODIGO	DESCRIPCION	POS	CODIGO	DESCRIPCION
1	* 4403010301	ARO INOX. PROYECTOR	8	* 4403012416	ARO PROYECTOR PISC. PREF. TOR. PARKER
2	* 4403010302	ARO BLANCO PROYECTOR	9	4403012412	JUNTA ADHESIVA PROYECTOR
3	4403010312	PRENSAESTOPAS FOCO PROYECTOR M-25	10	4403010313	PRENSAESTOPAS CUERPO PROYECTOR M-25
4	4403010304	JUNTA TORICA PROYECTOR	11	4403010058	LAMPARA 300W.12.V.
5	4403010305	FONDO FOCO PROYECTOR HALOGENO	12	* 07856R0200	NICHO PROYECTOR STD. M-25 BI MATERIAL
6	4403010306	CLIP FIJACION PROYECTOR	12	* 21079R0001	NICHO PROYECTOR STD M-25 PIS.
7	4403015002	CJTO. FIJACION PROYECTOR JELLY STD. A2	13	4403010314	CABLE PROYECTOR M-25 HALOGENO
8	* 4403012411	ARO PROYECTOR PISC. PREF.			

CODIGO 07855, 07856, 21080

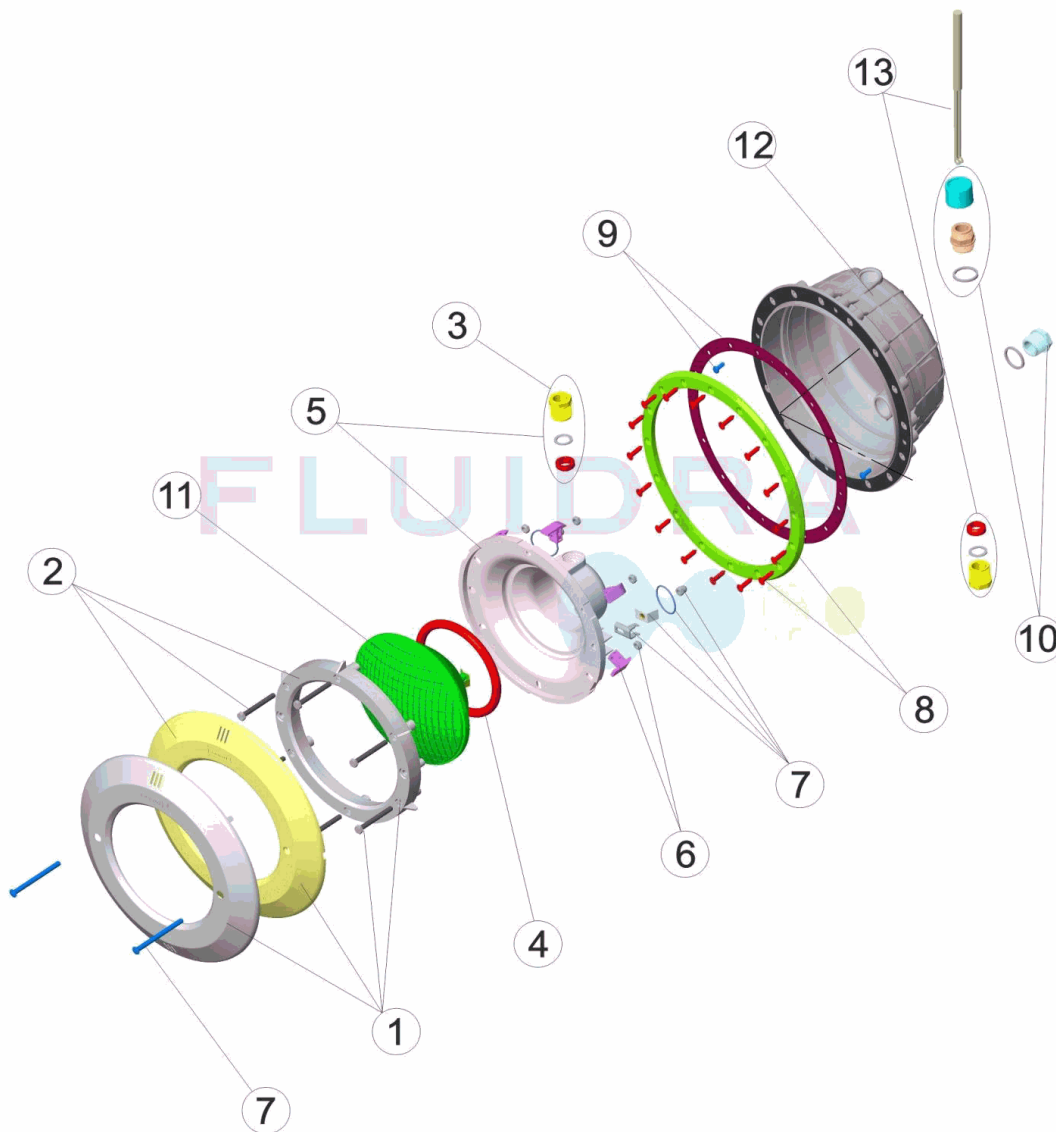
DESCRIPCION: PROY. PP. EMB. INOX, BLANCO Y PARKER CABLE

OBSERVACIONES

POS	CODIGO	OBSERVACIONES
1	4403010301	PARA: 07855
2	4403010302	PARA: 07856, 21080
8	4403012411	PARA: 07855, 07856
8	4403012416	PARA: 21080
12	07856R0200	PARA: 07855, 07856
12	21079R0001	PARA: 21080

CODE **07855, 07856, 21080**

DESCRIPTION: **PROJ. PP. ENJ. INOX, BLANC ET CÂBLE PARKER**



FRANCAIS

POS	CODE	DESCRIPTION	POS	CODE	DESCRIPTION
1	* 4403010301	ENJOLIVEUR INOX DE PROJECTEUR	8	* 4403012416	ANNEALI PROJECTEUR PISCINE LINER PARKER
2	* 4403010302	ENJOLIVEUR BLANC DE PROJECTEUR	9	4403012412	JOINT ADHESIF PROJECTEUR
3	4403010312	PRESSE ETOUPE PROJECTEUR M-25	10	4403010313	CORPS PRESSE ETOUPE M-25
4	4403010304	JOINT TORIQUE PROJECTEUR	11	4403010058	LAMPE
5	4403010305	NICHE D'AMPOULE DE PROJECTEUR	12	* 07856R0200	NICHE PROJECTEUR POUR VIS MÉTRIQUE (GRIFF
6	4403010306	CLIP FIXATION PROJECTEUR	12	* 21079R0001	NICHE PROJECTEUR STD M-25 PIS.
7	4403015002	ENSEMBLE FIXATION PROJECTEUR JELLY STD. A2	13	4403010314	CABLE PROJECTEUR M-25
8	* 4403012411	ANNEALI PROJECTEUR PISCINE LINER			

CODE **07855, 07856, 21080**

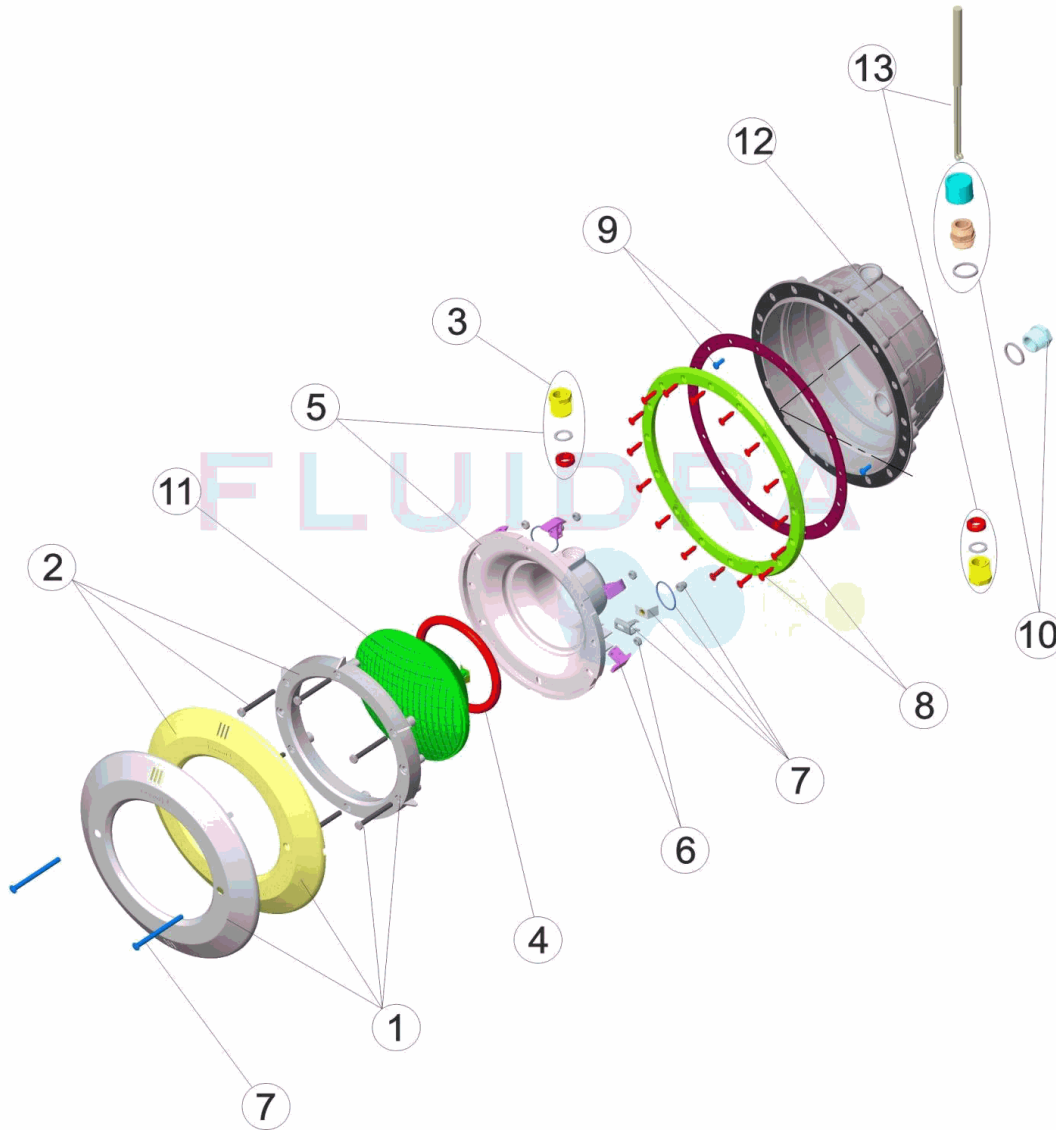
DESCRIPTION: **PROJ. PP. ENJ. INOX, BLANC ET CÂBLE PARKER**

OBSERVATIONS

POS	CODE	OBSERVATIONS
1	4403010301	POUR: 07855
2	4403010302	POUR: 07856, 21080
8	4403012411	POUR: 07855, 07856
8	4403012416	POUR: 21080
12	07856R0200	POUR: 07855, 07856
12	21079R0001	POUR: 21080

CODE **07855, 07856, 21080**

DESCRIPTION: **PP. POOL LIGHT COVER STAINLESS STEEL, WHITE AND PARKER CABLE**



ENGLISH

POS	CODE	DESCRIPTION	POS	CODE	DESCRIPTION
1	* 4403010301	S.S. FACEPLATE AND SECURING RING	8	* 4403012416	LIGHT RIM PARKER
2	* 4403010302	WHITE FACEPLATE	9	4403012412	LIGHT ADHESIVE GASKET
3	4403010312	PACKING GLAND M-25	10	4403010313	BODY PACKING GLAND M-25
4	4403010304	LIGHT O RING	11	4403010058	LIGHTBULB
5	4403010305	BACK COVER	12	* 07856R0200	BIMATERIAL METRIC PITCH HOUSING
6	4403010306	LIGHT FIXING CLIP	12	* 21079R0001	STD M-25 PIS. LIGHT NICHE
7	4403015002	FIXING SET UNDERWATER LIGHT JELLY STD. A2	13	4403010314	LIGHT CABLE M-25
8	* 4403012411	LIGHT RIM			

CODE **07855, 07856, 21080**

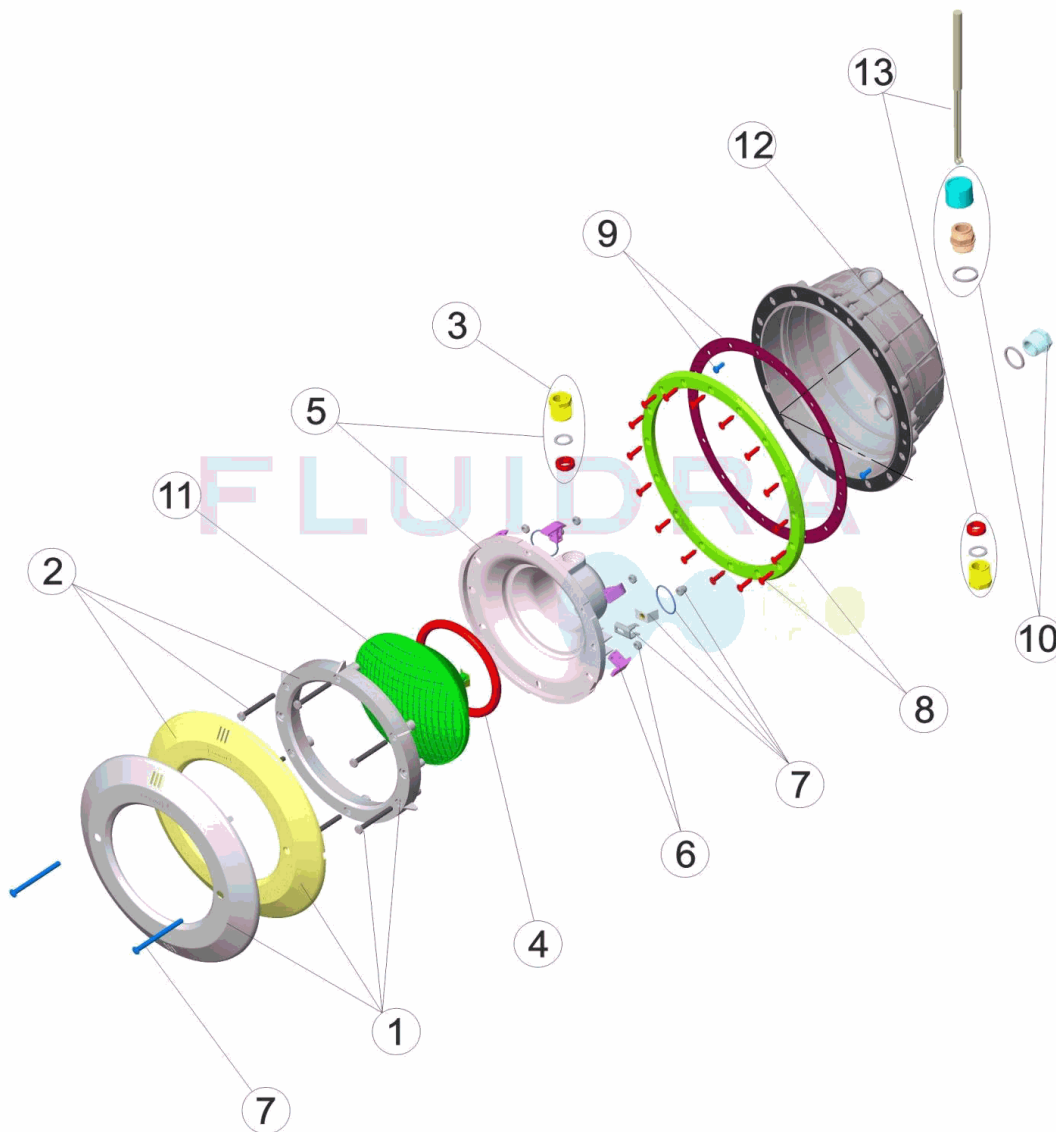
DESCRIPTION: **PP. POOL LIGHT COVER STAINLESS STEEL, WHITE AND PARKER CABLE**

OBSERVATIONS

POS	CODE	OBSERVATIONS
1	4403010301	FOR: 07855
2	4403010302	FOR: 07856, 21080
8	4403012411	FOR: 07855, 07856
8	4403012416	FOR: 21080
12	07856R0200	FOR: 07855, 07856
12	21079R0001	FOR: 21080

CODICE **07855, 07856, 21080**

DESCRIZIONE: **PROIETTORE PP. PLACCA INOX, BIANCA E PARKER CAVO**



ITALIANO

POS	CODICE	DESCRIZIONE	POS	CODICE	DESCRIZIONE
1	* 4403010301	FLANGIA INOX FARO	8	* 4403012416	COPRIFLANGIA FARO P.F. PARKER
2	* 4403010302	FLANGIA BIANCA FARO	9	4403012412	GUARNIZIONE ADESIVA FARO
3	4403010312	PRESSACAVI M-25	10	4403010313	PRESSACAVI CORPO M-25
4	4403010304	O-RING FARO	11	4403010058	LAMPADINA
5	4403010305	COPPA FARO	12	* 07856R0200	NICHIA BIMATERIALE A FILETTO METRICO
6	4403010306	CLIP FISSAGGIO FARO	12	* 21079R0001	NICCHIA PROIETTORE STD M-25 PIS.
7	4403015002	KIT FISSAGGIO PROIETTORE JELLY STD. A2	13	4403010314	CABLE PROJECTEUR M-25
8	* 4403012411	COPRIFLANGIA FARO P.F.			

CODICE **07855, 07856, 21080**

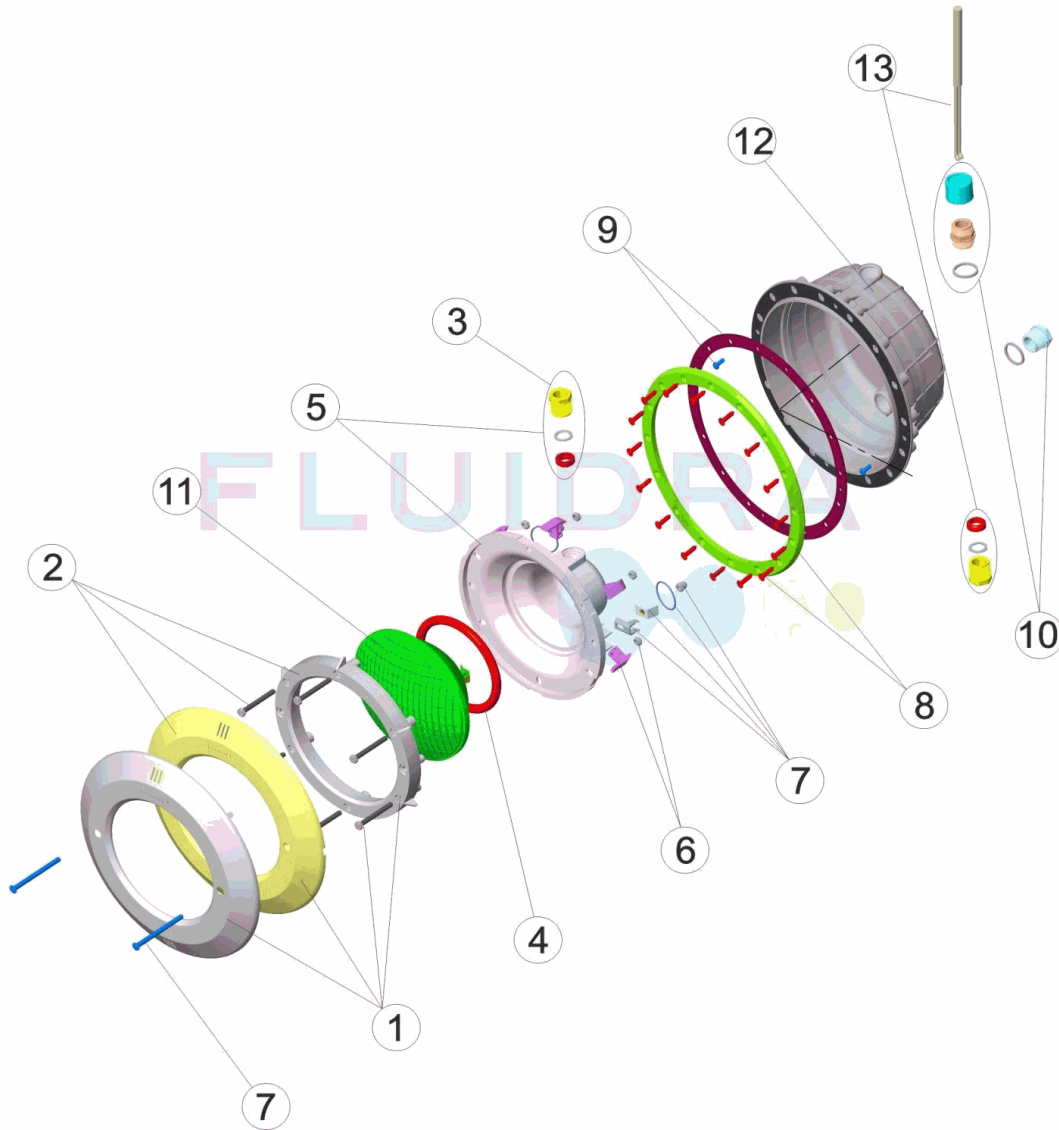
DESCRIZIONE: **PROIETTORE PP. PLACCA INOX, BIANCA E PARKER CAVO**

OSSERVAZIONI

POS	CODICE	OSSERVAZIONI
1	4403010301	PER: 07855
2	4403010302	PER: 07856, 21080
8	4403012411	PER: 07855, 07856
8	4403012416	PER: 21080
12	07856R0200	PER: 07855, 07856
12	21079R0001	PER: 21080

CODE **07855, 07856, 21080**

BESCHREIBUNG: **UWS PP. BLENDE EDELSTAHL, WEISS UND PARKER KABEL**



DEUTSCH

POS	CODE	BESCHREIBUNG	POS	CODE	BESCHREIBUNG
1	* 4403010301	RING EDELSTAHL UWS	8	* 4403012416	RING UWS FERTIGBECKEN PARKER-SCHRAUBEN
2	* 4403010302	RING WEISS UWS	9	4403012412	DICHTUNG SELBSTKLEBEND UWS
3	4403010312	QUETSCHVERSCHRAUBUNG LAMPE UWS M-25	10	4403010313	QUETSCHVERSCHRAUBUNG GEHÄUSE UWS M-25
4	4403010304	O-RING UWS	11	4403010058	LAMPE 300 W 12 V
5	4403010305	BASIS UWS HALOGEN	12	* 07856R0200	EINBAUTOPF UWS STD. M-25 ZWEI MATERIALIEN
6	4403010306	FIXIERCLIP UWS	12	* 21079R0001	EINBAUTOPF UWS STD. M-25 BECKEN
7	4403015002	FIXIERSET UWS JELLY STD. A2	13	4403010314	UWS-KABEL M-25 HALOGEN
8	* 4403012411	RING UWS FERTIGBECKEN			

CODE **07855, 07856, 21080**

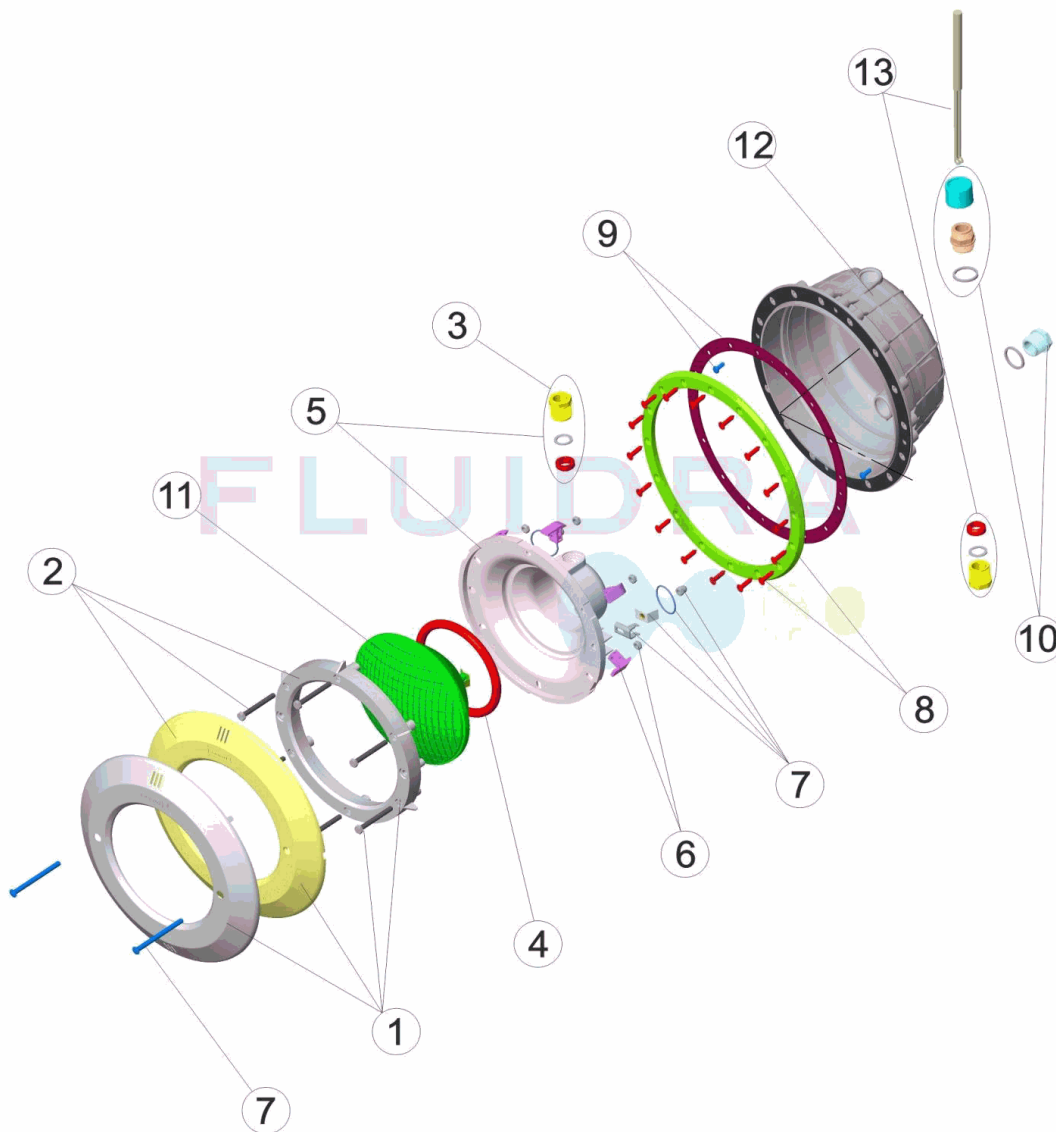
BESCHREIBUNG: **UWS PP. BLENDE EDELSTAHL, WEISS UND PARKER KABEL**

HINWEISE

POS	CODE	HINWEISE
1	4403010301	FÜR: 07855
2	4403010302	FÜR: 07856, 21080
8	4403012411	FÜR: 07855, 07856
8	4403012416	FÜR: 21080
12	07856R0200	FÜR: 07855, 07856
12	21079R0001	FÜR: 21080

CODIGO **07855, 07856, 21080**

DESCRIÇÃO: **PROJ. PP. P. DEC. INOX, BRANCO E PARKER CABLE**



PORTUGUES

POS	CODIGO	DESCRIÇÃO	POS	CODIGO	DESCRIÇÃO
1	* 4403010301	ARO INOX PROJECTOR	8	* 4403012416	ARO PROJECTOR PISC. PRÉF. PARKER
2	* 4403010302	ARO BRANCO PROJECTOR	9	4403012412	JUNTA ADESIVA PROJECTOR
3	4403010312	BUCIN FOCO M-25	10	4403010313	BUCIN CORPO M-25
4	4403010304	JUNTA TÓRICA PROJECTOR	11	4403010058	BOMBILHA
5	4403010305	FUNDO FOCO PROJECTOR	12	* 07856R0200	NICHO BIMATERIAL COM ROSCA METRICA
6	4403010306	CLIP FIXAÇÃO PROJECTOR	12	* 21079R0001	NICHO PROJECTOR STD M-25 PIS.
7	4403015002	CÔNJUNTO FIXAÇÃO PROJECTOR JELLY STD. A2	13	4403010314	CABO PROJECTOR M-25
8	* 4403012411	ARO PROJECTOR PISC. PRÉF.			

CODIGO 07855, 07856, 21080

DESCRIÇÃO: PROJ. PP. P. DEC. INOX, BRANCO E PARKER CABLE

OBSERVACÕES

POS	CODIGO	OBSERVACÕES
1	4403010301	PARA: 07855
2	4403010302	PARA: 07856, 21080
8	4403012411	PARA: 07855, 07856
8	4403012416	PARA: 21080
12	07856R0200	PARA: 07855, 07856
12	21079R0001	PARA: 21080